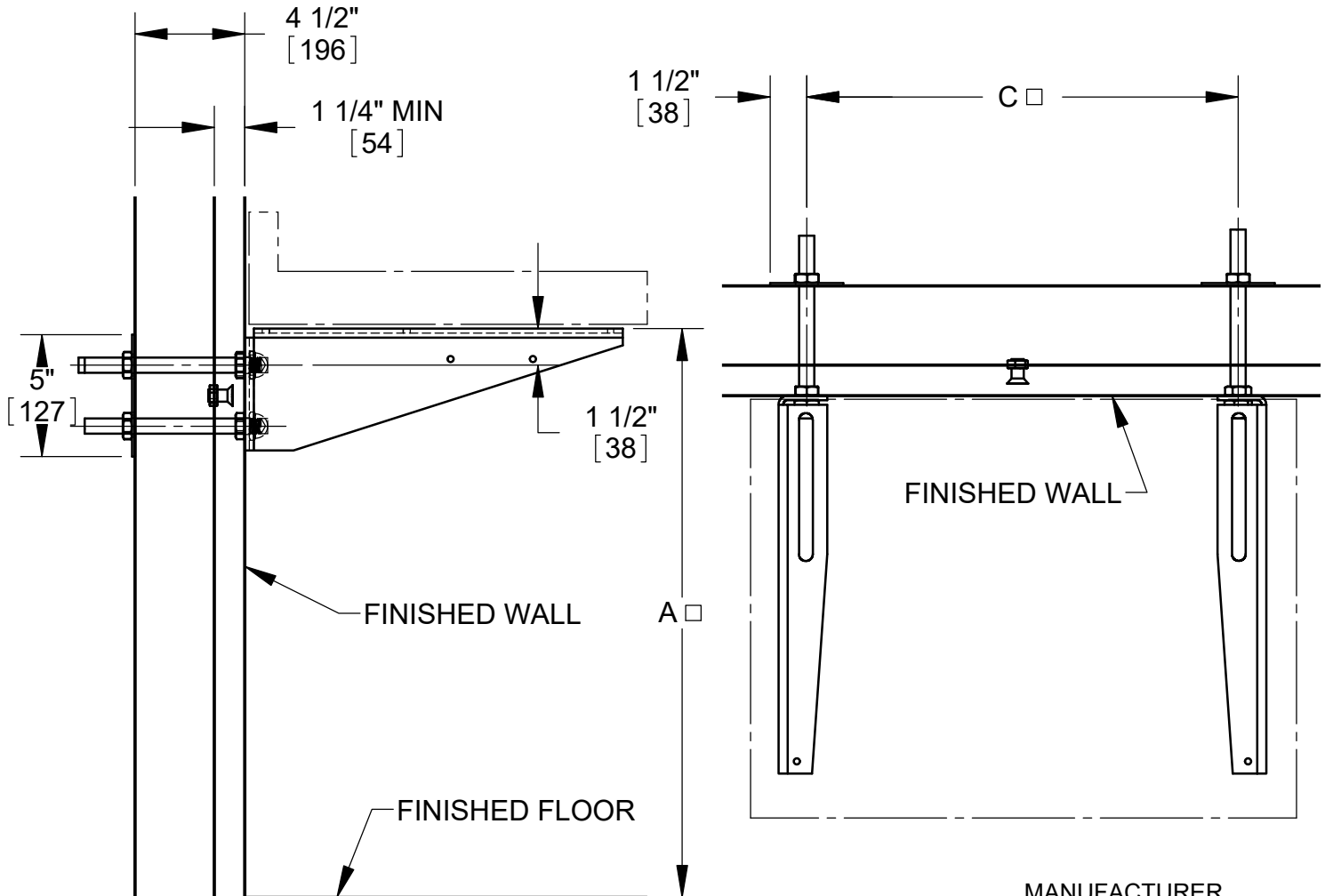


SPECIFICATION:

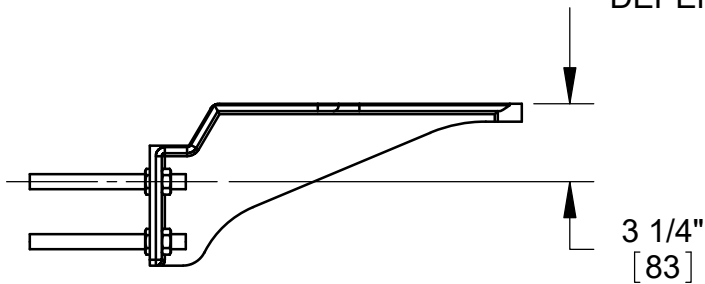
JOSAM 17390 SERIES WALL-MOUNTED, SINGLE LAVATORY CARRIER WITH EXPOSED ACID-RESISTING WHITE COATED ARMS, LEVELING AND SECURING SCREWS, ADJUSTABLE WALL PLATE, BACK PLATES AND CHROME PLATED TRIM.

**LAVATORY CARRIER
WALL-MOUNT EXPOSED ARM**

SERIES **17390-BP**



□ DENOTES VARIABLE DIMENSION
DEPENDS ON FIXTURE.



OFFSET ARM FURNISHED
WHEN REQUIRED.

MANUFACTURER _____

NUMBER _____

SIZE _____

NAME _____

DIMENSIONS

A _____

C _____

RIM HEIGHT _____
BASED ON "A" DIM. SHOWN

X	-BP	WITH BACK PLATES*
	-VP	VANDAL-PROOF TRIM
	-10	STUDS FOR WALLS OVER 4-1/2" (SPEC. WALL THICKNESS)

* SEPERATE SUBMITTAL FOR THIS OPTION AVAILABLE

WARNING: Cancer and Reproductive Harm - www.P65Warnings.ca.gov

DATE OF LAST CHANGE: 06/11/18

DIMENSIONS ARE SUBJECT TO MANUFACTURERS
TOLERANCES AND CHANGE WITHOUT NOTICE.
WE CAN ASSUME NO RESPONSIBILITY FOR
USE OF SUPERSEDED OR VOID DATA.



MICHIGAN CITY, INDIANA

NOTES