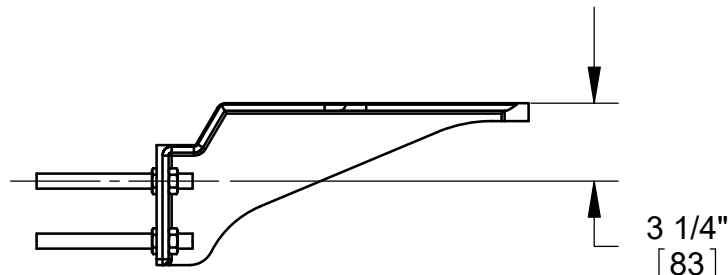
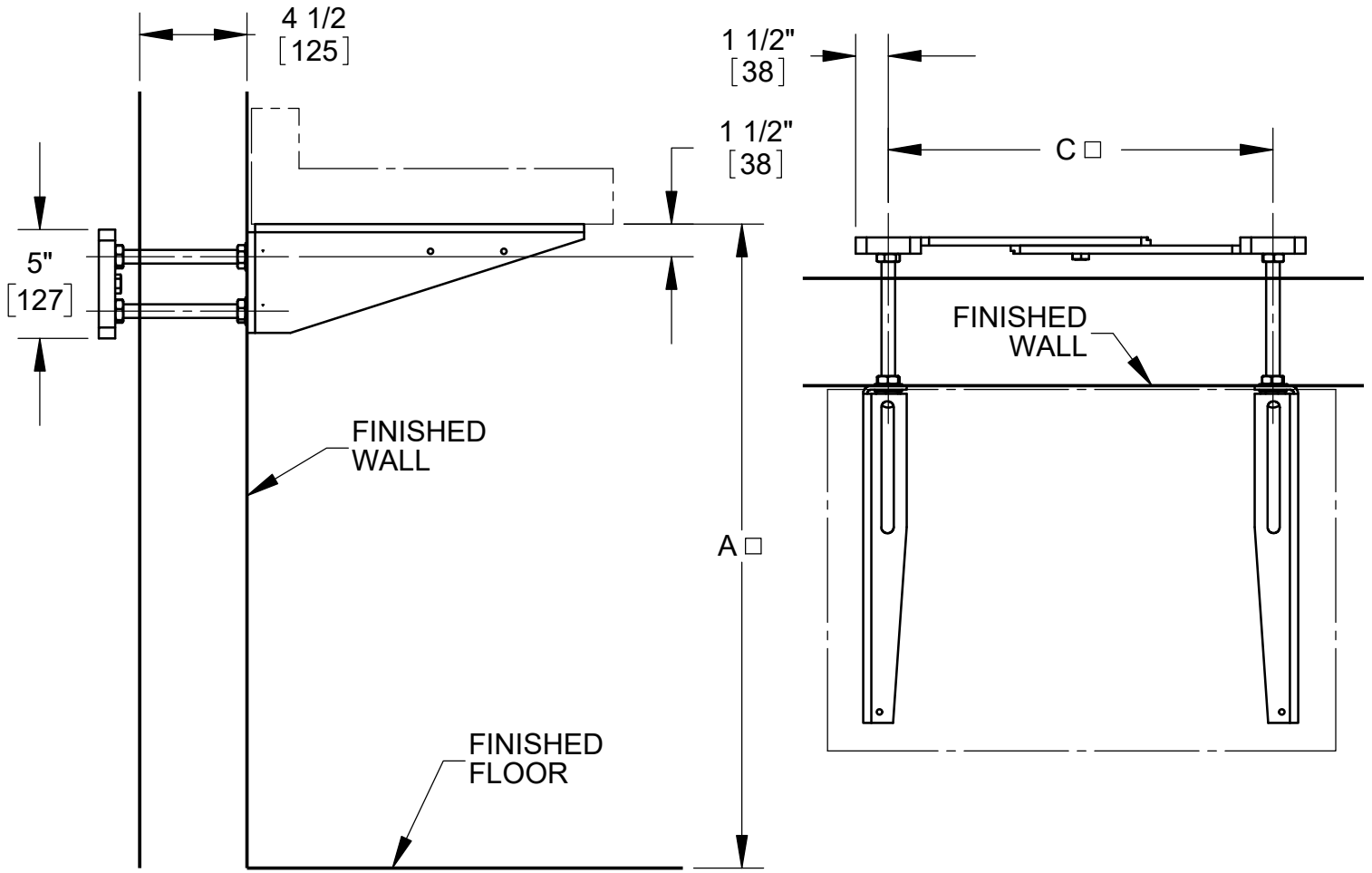


SPECIFICATION:

JOSAM 17390 SERIES WALL-MOUNTED, SINGLE LAVATORY CARRIER WITH EXPOSED ACID-RESISTING WHITE COATED ARMS, LEVELING AND SECURING SCREWS, ADJUSTABLE WALL PLATE AND CHROME PLATED TRIM.

**LAVATORY CARRIER
WALL-MOUNT EXPOSED ARM**

SERIES **17390**



OFFSET ARM FURNISHED WHEN REQUIRED.

□ DENOTES VARIABLE DIMENSION DEPENDS ON FIXTURE.

MANUFACTURER _____

NUMBER _____

SIZE _____

NAME _____

DIMENSIONS

A _____

C _____

RIM HEIGHT _____

BASED ON "A" DIM. SHOWN

-BP	WITH BACK PLATES*
-VP	VANDAL-PROOF TRIM
-10	STUDS FOR WALLS OVER 4-1/2" (SPEC. WALL THICKNESS)

* SEPERATE SUBMITTAL FOR THIS OPTION AVAILABLE

WARNING: Cancer and Reproductive Harm - www.P65Warnings.ca.gov

DATE OF LAST CHANGE: 06/11/18

DIMENSIONS ARE SUBJECT TO MANUFACTURERS TOLERANCES AND CHANGE WITHOUT NOTICE. WE CAN ASSUME NO RESPONSIBILITY FOR USE OF SUPERSEDED OR VOID DATA.



MICHIGAN CITY, INDIANA

NOTES