

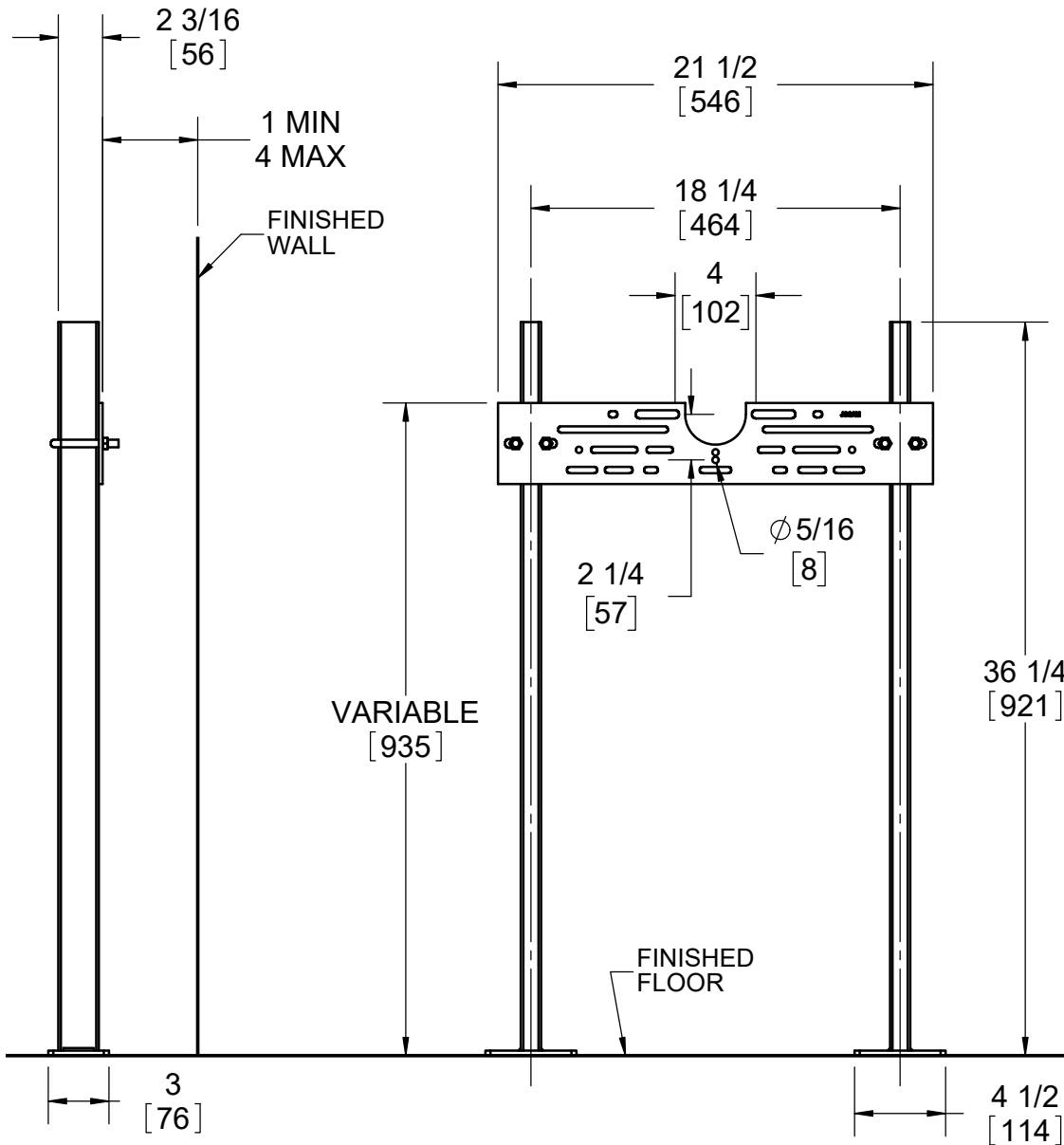
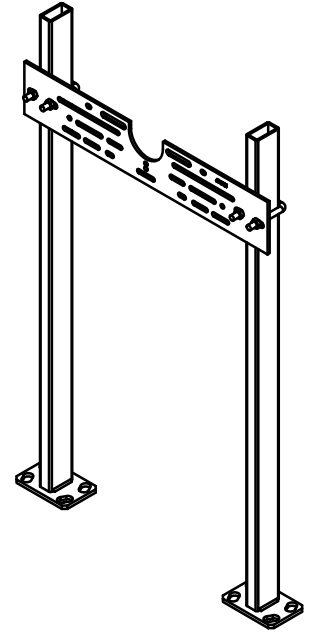
SPECIFICATION:

JOSAM 17550-M1511 SERIES FLOOR-MOUNTED SINK CARRIER WITH HANGER PLATE, ADJUSTABLE SUPPORTING RODS, AND STRUCTURAL UPRIGHTS.

FIXTURE CARRIER

SERIES **17550-M1511**

MANUFACTURER _____
 NUMBER _____
 SIZE _____
 NAME _____



JOSAM RECOMMENDS - FEET BE SECURED TO FLOOR WITH 1/2" BOLTS AND ANCHORS BY OTHERS

WARNING: Cancer and Reproductive Harm - www.P65Warnings.ca.gov

DATE OF LAST CHANGE: 05/29/18

DIMENSIONS ARE SUBJECT TO MANUFACTURERS TOLERANCES AND CHANGE WITHOUT NOTICE. WE CAN ASSUME NO RESPONSIBILITY FOR USE OF SUPERSEDED OR VOID DATA.

JOSAM
 MICHIGAN CITY, INDIANA

NOTES