

**SPECIFICATION:**

JOSAM SERIES 17550 FLOOR-MOUNTED, DUAL LAVATORY CARRIER WITH HANGER PLATE, ADJUSTABLE SUPPORTING RODS, STRUCTURAL UPRIGHTS AND WELDED FEET. DESIGNED TO SUPPORT SLOAN DSWD-82000 LAVATORY.

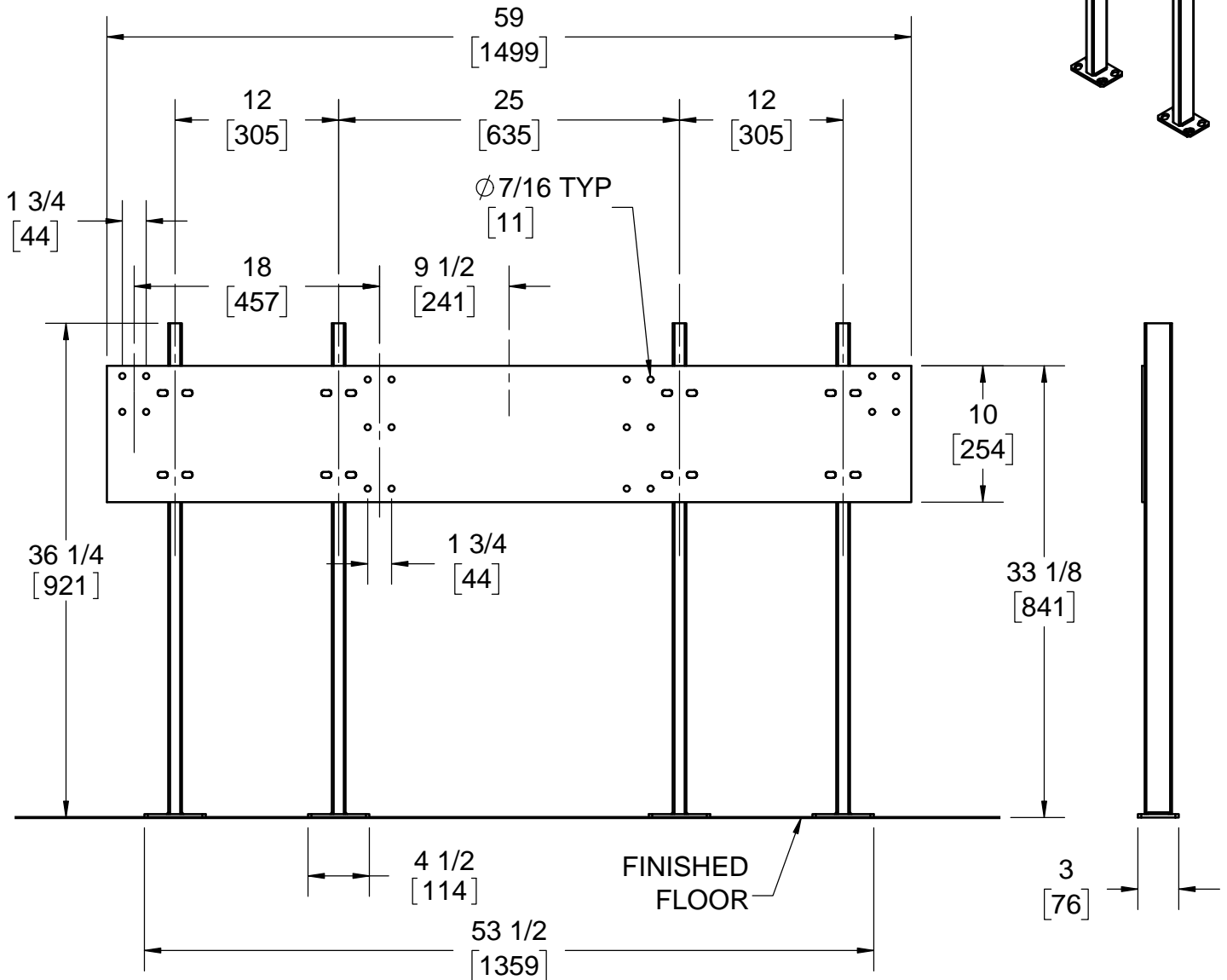
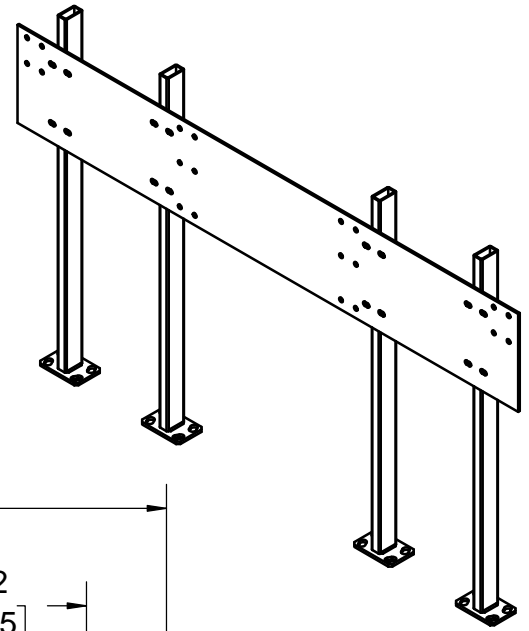
**LAVATORY CARRIER**

**FLOOR-MOUNT  
HANGER PLATE**

SERIES **17550-M1773**

RECOMMEND FEET BE SECURED TO FLOOR WITH 1/2" BOLTS AND ANCHORS BY OTHERS

THIS CARRIER IS DESIGNED TO WORK WITH FOUR BRACING SUPPORTS ONLY



WARNING: Cancer and Reproductive Harm - www.P65Warnings.ca.gov

DATE OF LAST CHANGE: 2/16/2019  
 DIMENSIONS ARE SUBJECT TO MANUFACTURERS TOLERANCES AND CHANGE WITHOUT NOTICE. WE CAN ASSUME NO RESPONSIBILITY FOR USE OF SUPERSEDED OR VOID DATA.

**JOSAM**  
 MICHIGAN CITY, INDIANA

NOTES