

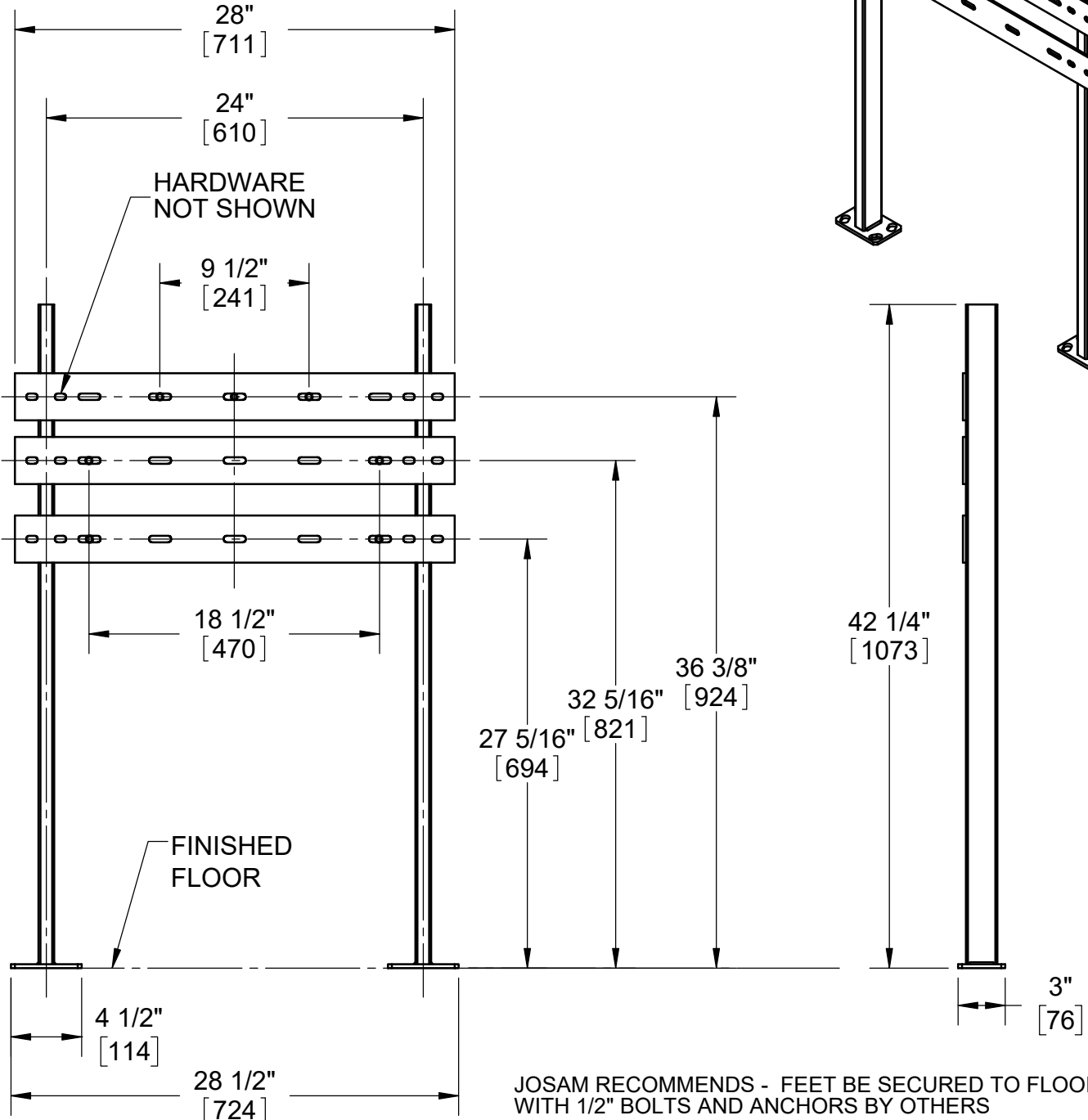
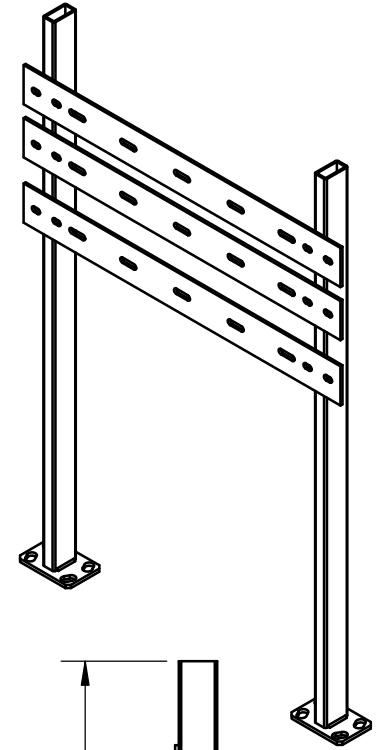
SPECIFICATION:

JOSAM SERIES 17560 FLOOR MOUNTED FIXTURE CARRIER WITH HANGER AND BEARING PLATES, ADJUSTABLE SUPPORTING RODS, STRUCTURAL UPRIGHTS, AND WELDED FEET.

**FIXTURE CARRIER
SPECIAL**

SERIES **17560-M1643**

DESIGNED FOR
JUST MANUFACTURING
CWH-2524 CLASSROOM
WALL-HUNG SINK/
DRINKING FOUNTAIN



WARNING: Cancer and Reproductive Harm - www.P65Warnings.ca.gov

DATE OF LAST CHANGE: 06/11/18
DIMENSIONS ARE SUBJECT TO MANUFACTURERS TOLERANCES AND CHANGE WITHOUT NOTICE. WE CAN ASSUME NO RESPONSIBILITY FOR USE OF SUPERSEDED OR VOID DATA.



NOTES