

SPECIFICATION:

JOSAM 17560 SERIES FLOOR MOUNTED SINGLE URINAL CARRIER WITH BEARING PLATES, ADJUSTABLE SUPPORTING RODS, STRUCTURAL UPRIGHTS AND WELDED FEET.

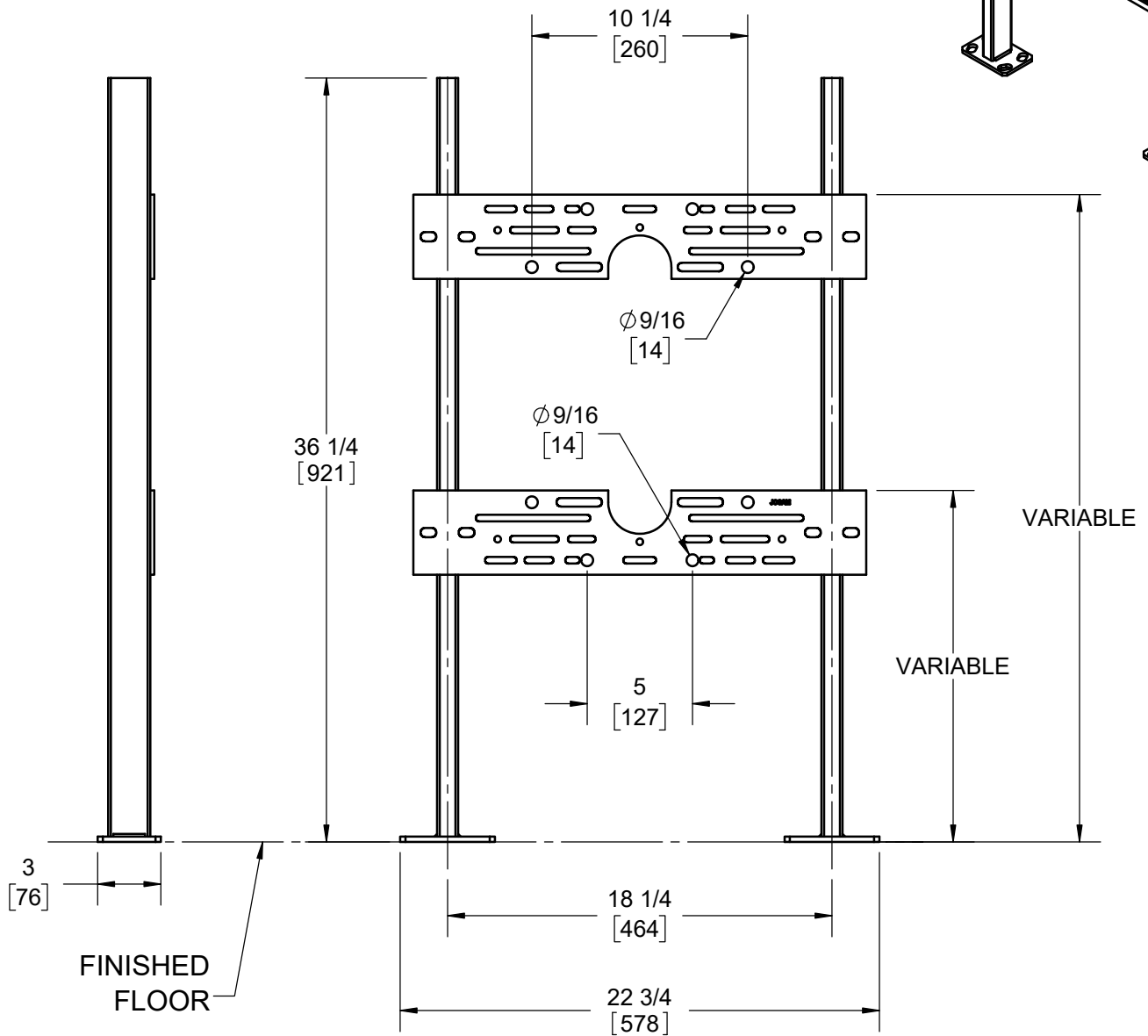
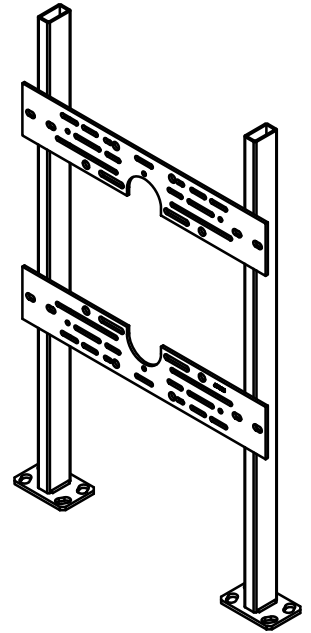
URINAL CARRIER

FLOOR-MOUNT
BEARING PLATE

SERIES **17560-M1679**

NOTES:

1. HARDWARE SUPPLIED NOT SHOWN.
2. FOR ACORN 1709HEU AND WILLOUGHBY UW-1317-HEU.
3. JOSAM RECOMMENDS FEET TO BE SECURED TO FLOOR WITH 1/2" BOLTS AND ANCHORS BY OTHERS.



WARNING: Cancer and Reproductive Harm - www.P65Warnings.ca.gov

DATE OF LAST CHANGE: 05/29/18

DIMENSIONS ARE SUBJECT TO MANUFACTURERS TOLERANCES AND CHANGE WITHOUT NOTICE. WE CAN ASSUME NO RESPONSIBILITY FOR USE OF SUPERSEDED OR VOID DATA.



MICHIGAN CITY, INDIANA

NOTES