

SPECIFICATION:

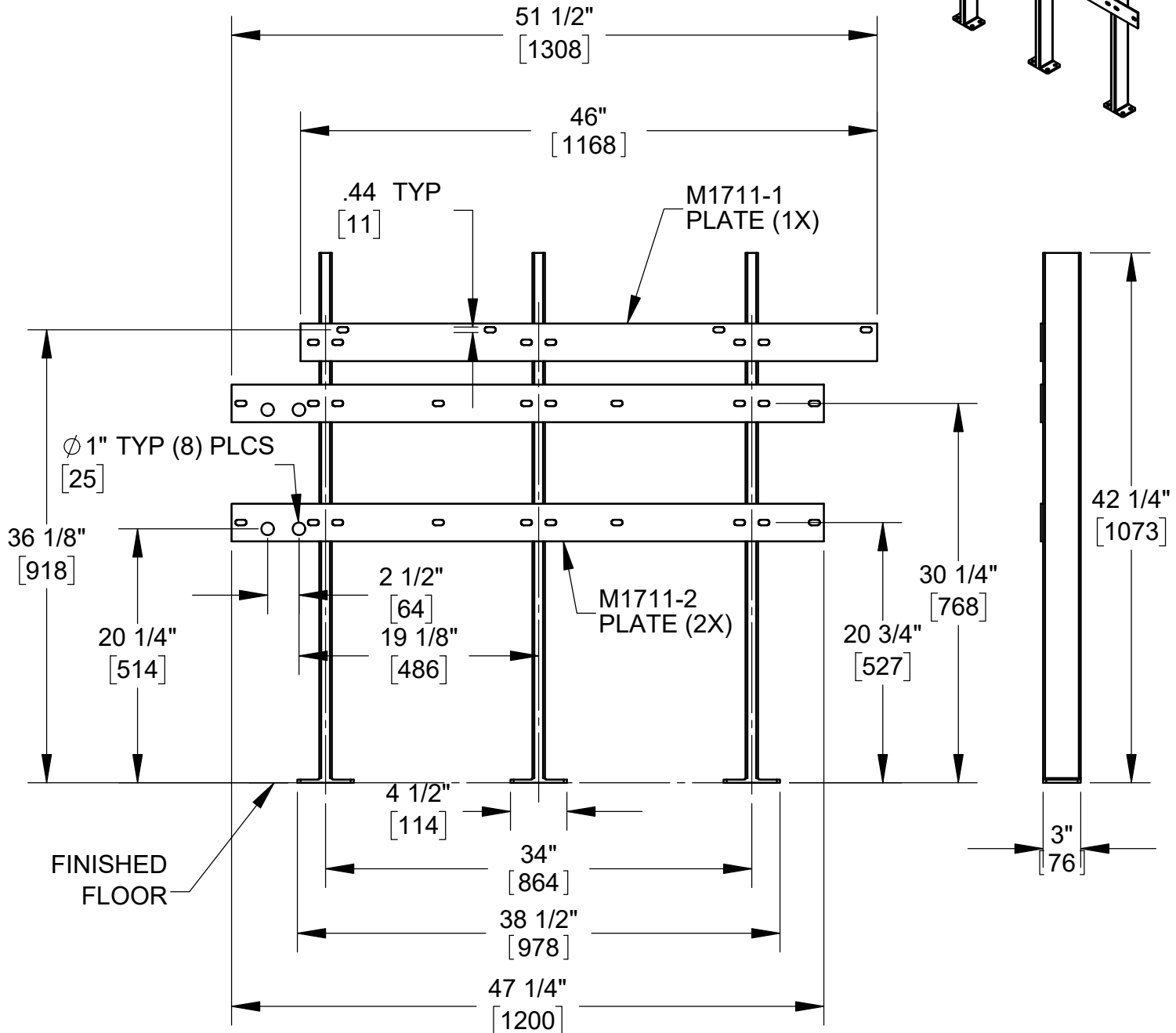
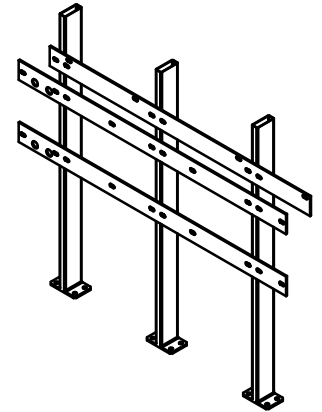
JOSAM SERIES 17560 FLOOR MOUNTED LAVATORY CARRIER WITH BEARING PLATES, ADJUSTABLE SUPPORTING RODS, STRUCTURAL UPRIGHTS AND WELDED FEET. DESIGNED TO SUPPORT BRADLEY AV60 LAVATORY SYSTEM.

LAVATORY CARRIER

FLOOR MOUNT
BEARING PLATE

SERIES **17560-M1711**

HARDWARE SUPPLIED NOT SHOWN



RECOMMEND FEET TO BE SECURED TO FLOOR WITH 1/2" BOLTS AND ANCHORS BY OTHERS.

WARNING: Cancer and Reproductive Harm - www.P65Warnings.ca.gov

DATE OF LAST CHANGE: 06/04/18

DIMENSIONS ARE SUBJECT TO MANUFACTURERS TOLERANCES AND CHANGE WITHOUT NOTICE. WE CAN ASSUME NO RESPONSIBILITY FOR USE OF SUPERSEDED OR VOID DATA.

JOSAM
MICHIGAN CITY, INDIANA

NOTES