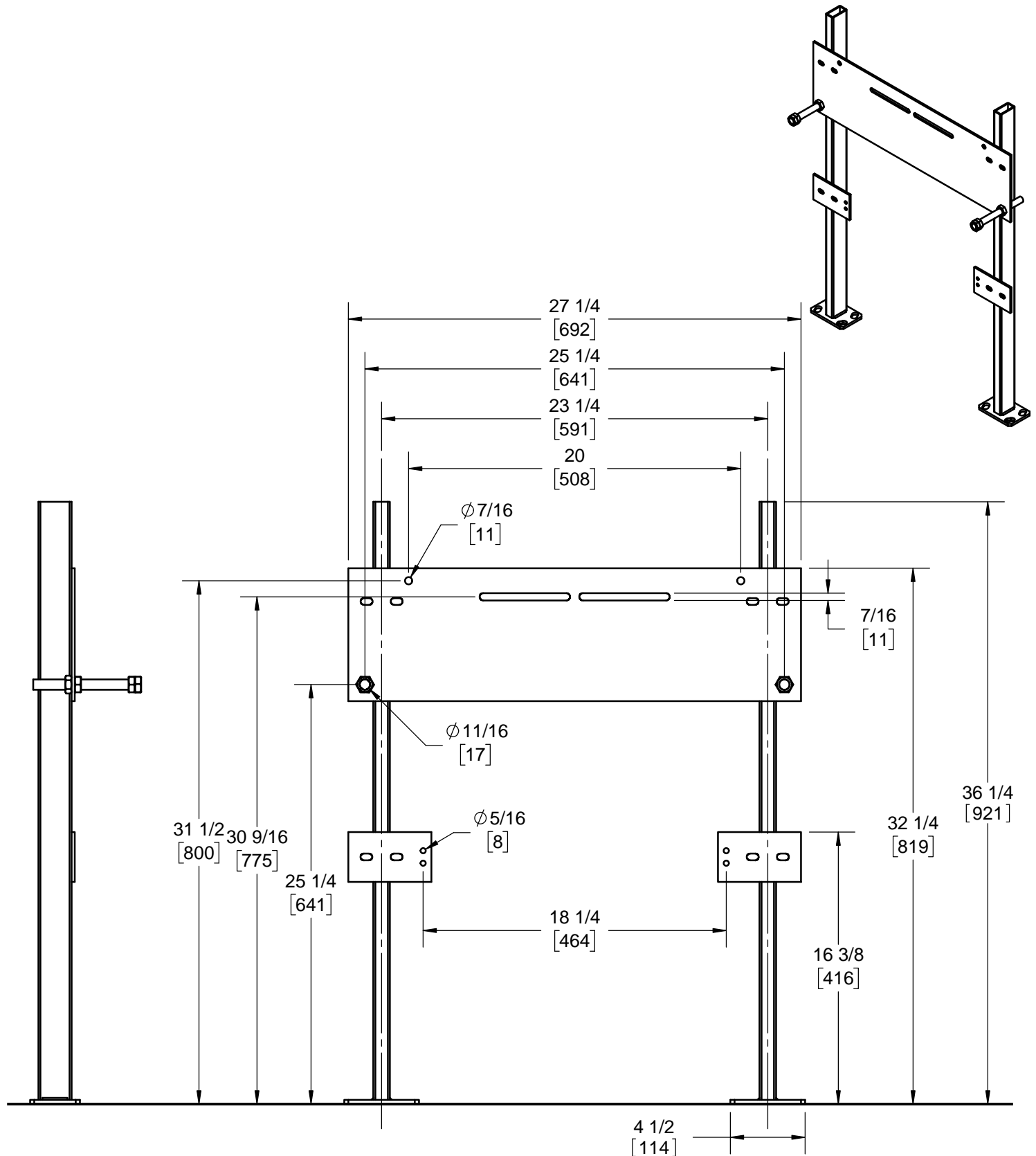


SPECIFICATION:

JOSAM 17560-M1777 SERIES FLOOR-MOUNTED SINK CARRIER WITH HANGER PLATES, ADJUSTABLE SUPPORTING RODS, AND STRUCTURAL UPRIGHTS. DESIGNED FOR BRADLEY LVAD1 WASH BASIN.

SINK CARRIER

SERIES **17560-M1777**



WARNING: Cancer and Reproductive Harm - www.P65Warnings.ca.gov

DATE OF LAST CHANGE: 04/22/19

DIMENSIONS ARE SUBJECT TO MANUFACTURERS TOLERANCES AND CHANGE WITHOUT NOTICE. WE CAN ASSUME NO RESPONSIBILITY FOR USE OF SUPERSEDED OR VOID DATA.

JOSAM

MICHIGAN CITY, INDIANA

NOTES