

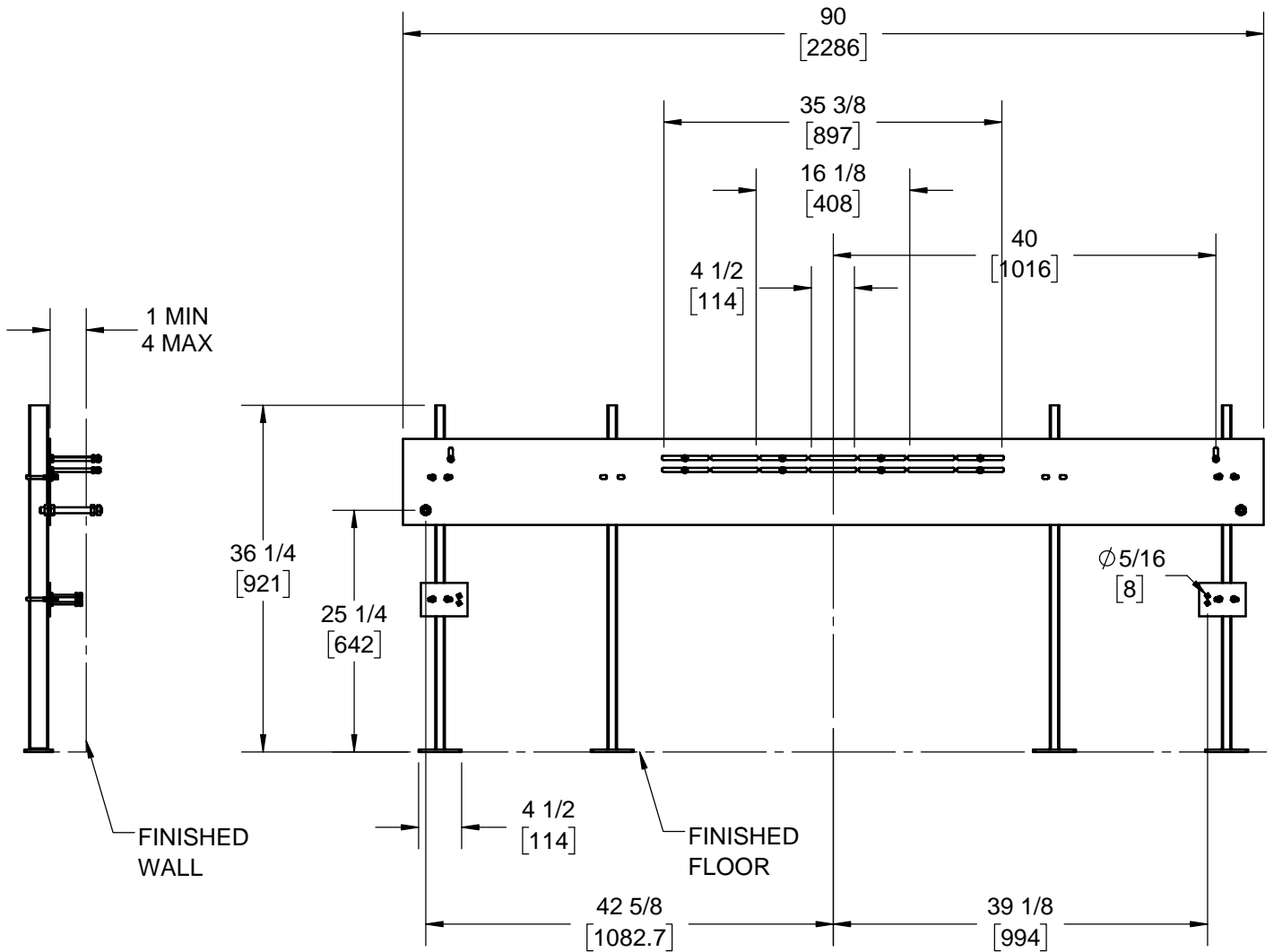
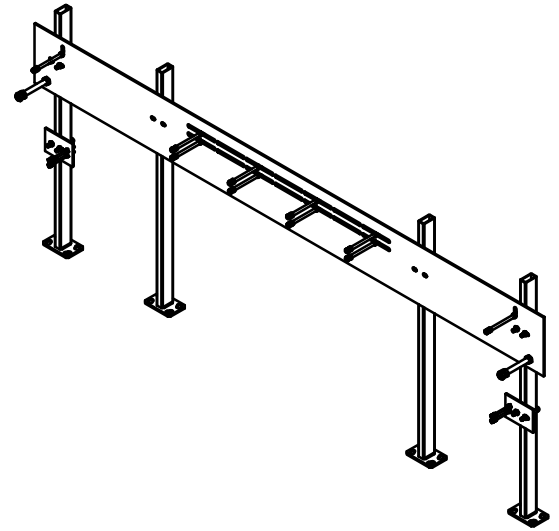
SPECIFICATION:

JOSAM 17560-M1789 FLOOR MOUNTED HEAVY DUTY CARRIER WITH HANGER PLATES ADJUSTABLE SUPPORTING, RODS AND STRUCTURAL UPRIGHTS.

FOR BRADLEY LVAD3 LAVATORY.

LAVATORY CARRIER

SERIES **17560-M1789**



WARNING: Cancer and Reproductive Harm - www.P65Warnings.ca.gov

DATE OF LAST CHANGE: 12/30/19

DIMENSIONS ARE SUBJECT TO MANUFACTURERS TOLERANCES AND CHANGE WITHOUT NOTICE. WE CAN ASSUME NO RESPONSIBILITY FOR USE OF SUPERSEDED OR VOID DATA.



MICHIGAN CITY, INDIANA

NOTES