

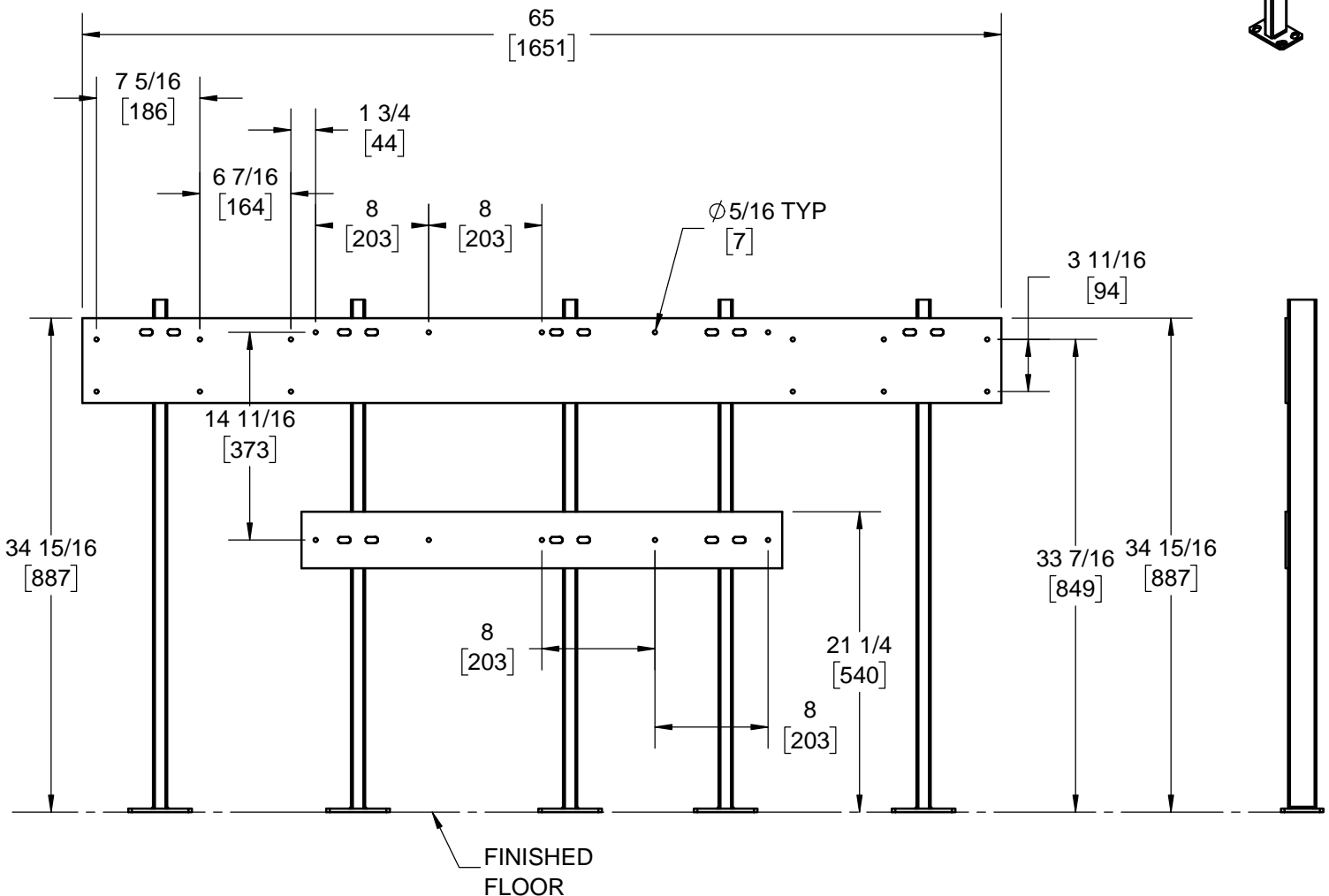
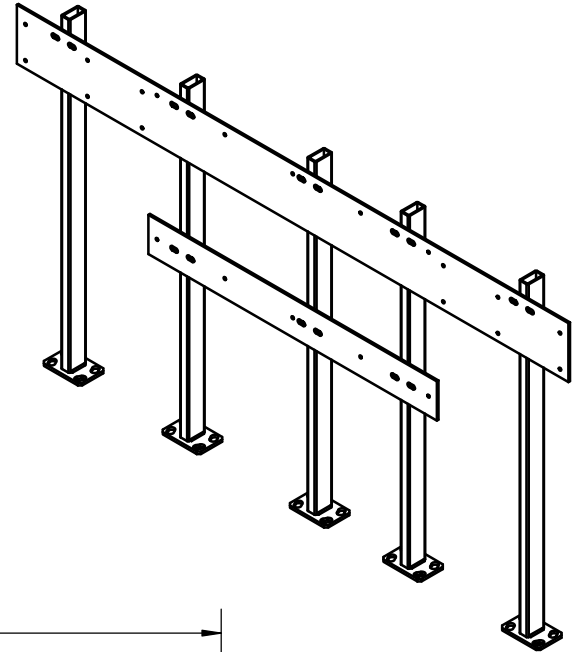
**SPECIFICATION:**

JOSAM BI-LEVEL WALL MOUNTED LAVATORY CARRIER DESIGNED TO FIT SLOAN ELS-43000

**BI LEVEL CARRIER**

PART NO **17560-M1792**

JOSAM RECOMMENDS FEET BE SECURED TO FLOOR WITH 1/2" BOLTS AND ANCHORS BY OTHERS



WARNING: Cancer and Reproductive Harm - www.P65Warnings.ca.gov

DATE OF LAST CHANGE: 03/02/2020

DIMENSIONS ARE SUBJECT TO MANUFACTURERS TOLERANCES AND CHANGE WITHOUT NOTICE. WE CAN ASSUME NO RESPONSIBILITY FOR USE OF SUPERSEDED OR VOID DATA.



MICHIGAN CITY, INDIANA

NOTES