

SPECIFICATION:

JOSAM 17560-WCBL-M1663 SERIES FLOOR MOUNTED CARRIER WITH HANGER PLATE, ADJUSTABLE SUPPORTING RODS AND WELDED FOOT STRUCTURAL UPRIGHTS. DESIGNED TO FIT HALSEY TAYLOR HRFESBP AND ELKAY EDFP-217C BI-LEVEL BARRIER-FREE FOUNTAINS.

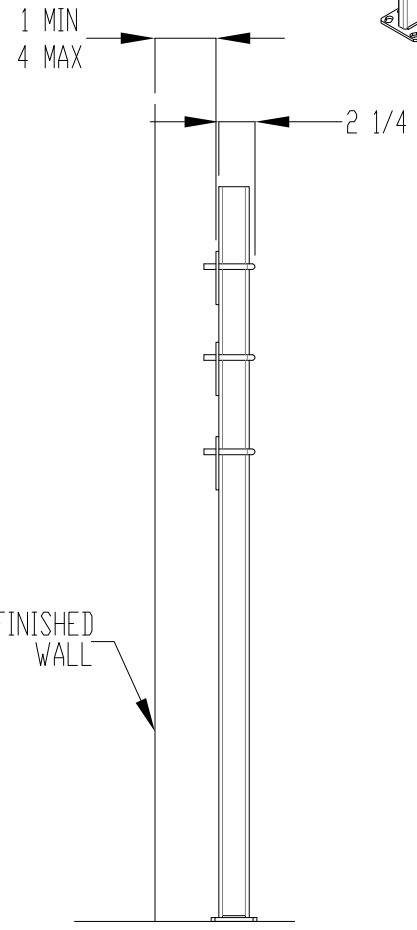
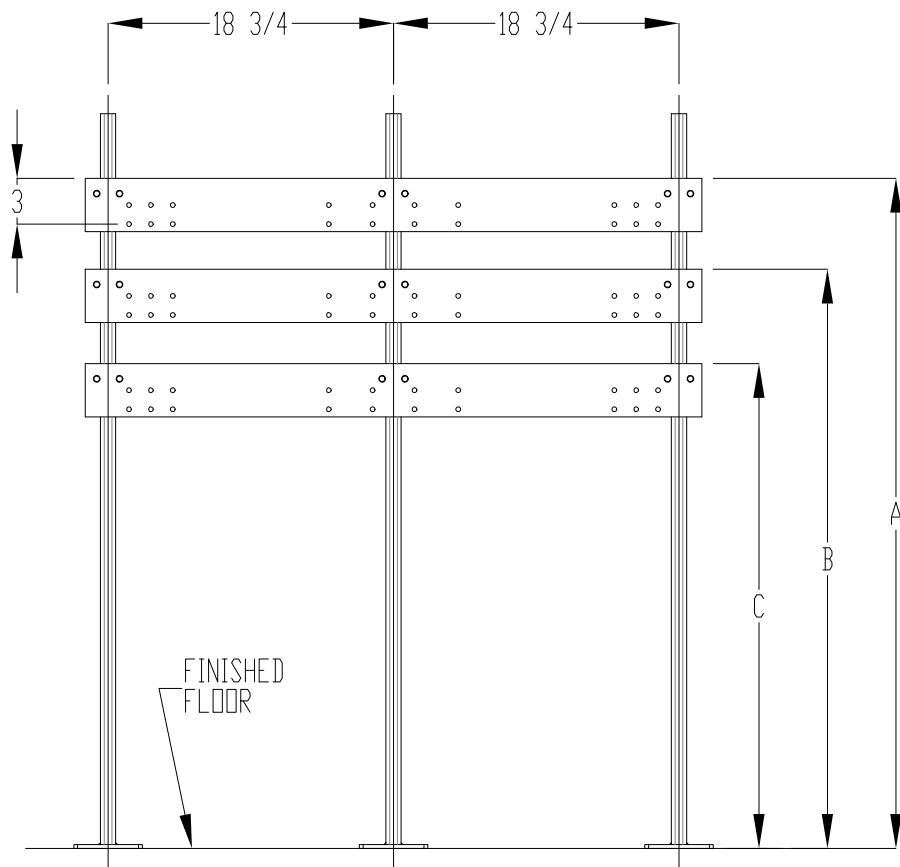
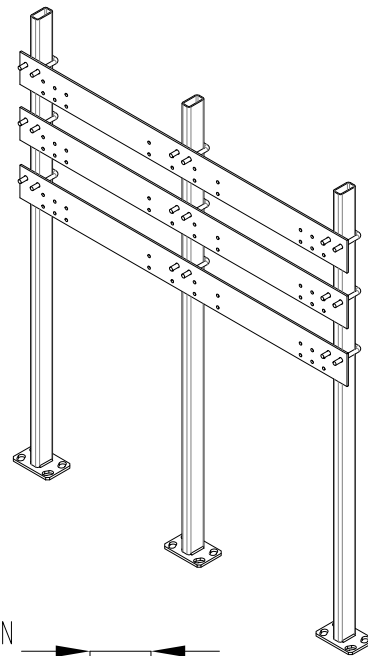
DRINKING FOUNTAIN CARRIER  
SPECIAL

SERIES

17560-WCBL-M1663

FIXTURE	"A" DIMENSION
HALSEY TAYLOR HRFESBP	46.38"
ELKAY EDFP-217C	46.25"

NOTE:  
NOT ALL HARDWARE IS SHOWN



DATE OF LAST CHANGE: 2/15/12

DIMENSIONS ARE SUBJECT TO MANUFACTURERS TOLERANCES AND CHANGE WITHOUT NOTICE. WE CAN ASSUME NO RESPONSIBILITY FOR USE OF SUPERSEDED OR VOID DATA.

JOSAM COMPANY  
MICHIGAN CITY, INDIANA

NOTES