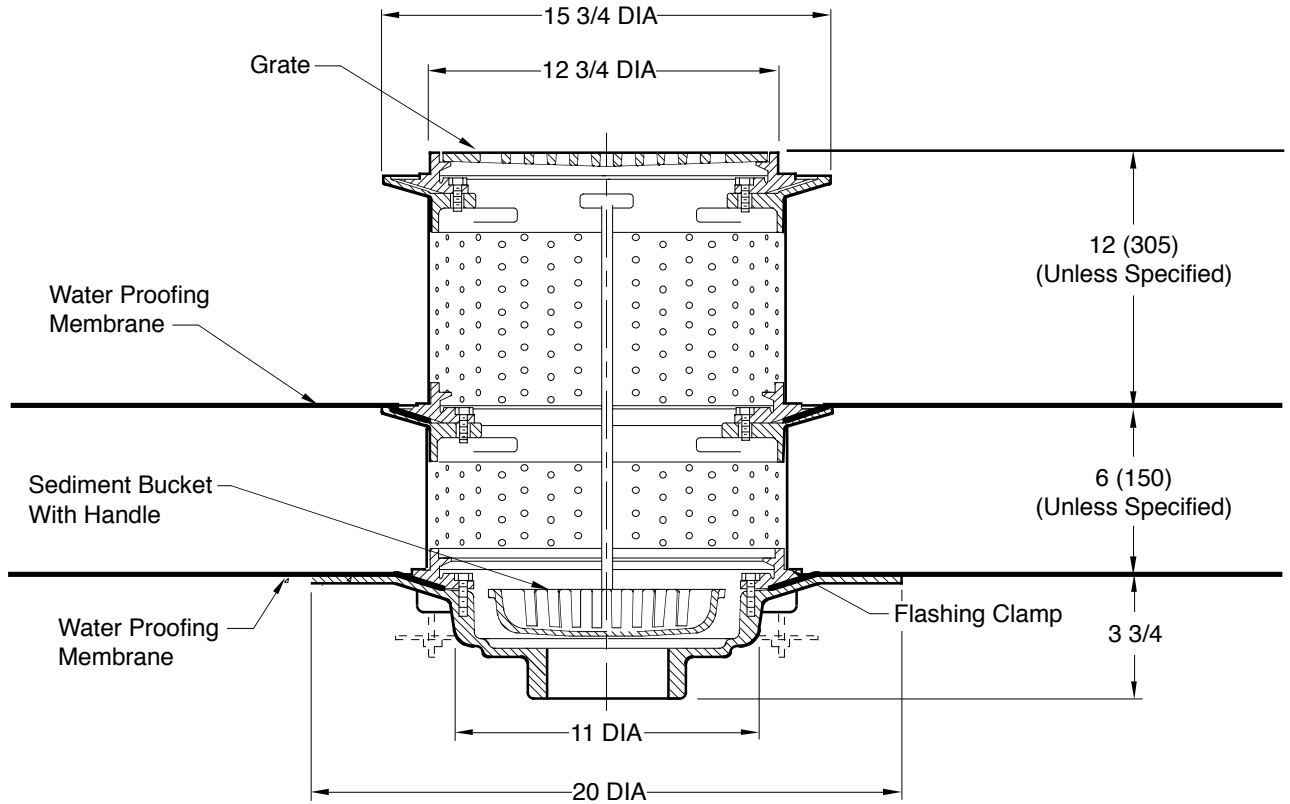


# PLANTING AREA DRAIN

DRAWING NUMBER **S1930**  
 SIZE **A**  
 SCALE: **NONE**  
 DATE: **10-2-07**  
 APPROVED BY: **ECW**  
 CHECKED BY: **BW**  
 DRAWN BY: **RN**  
**1930**  
 DIMENSIONS ARE SUBJECT TO MANUFACTURERS TOLERANCE AND CHANGE WITHOUT NOTICE  
 WE CAN ASSUME NO RESPONSIBILITY FOR USE OF SUPERSEDED OR VOID DATA



A (Pipe Size) = 02, 03, 04, 05, 06, or 08  
 1930Y. . . . . NO-HUB OUTLET  
 1930L. . . . . SPEEDI-SET OUTLET

**REGULARLY FURNISHED:**  
 Duco Cast Iron Wide Flange Body with Perforated Stainless Steel Extensions with Flashing Clamps, Bucket and Cast Iron Grate.

- VARIATIONS:**
- Underdeck Clamp -C
  - "L" Shaped Underdeck Clamp -CL
  - T Threaded Outlet
  - L Speedi-Set Outlet (2, 3, or 4" Sizes Only Specify XH or SW)

C B A	04/19/10 03/25/10 10/29/09	Added 12 & 6 unless specified Removed SQ note Renamed as 1930	JJ JJ JJ	TK TK TK	WEIGHT POUNDS	VOLUME CUBIC FEET	<b>FIGURE NUMBER</b>  <b>1930</b>
REV.	DATE	DESCRIPTION	BY	CKD. BY			