

E



**JAY R. SMITH MFG. CO.®**  
 MEMBER OF MORRIS GROUP INTERNATIONAL  
 POST OFFICE BOX 3237  
 MONTGOMERY, ALABAMA 36109-0237 (USA)  
 TEL: 334-277-8520 FAX: 334-272-7396 www.jrsmith.com

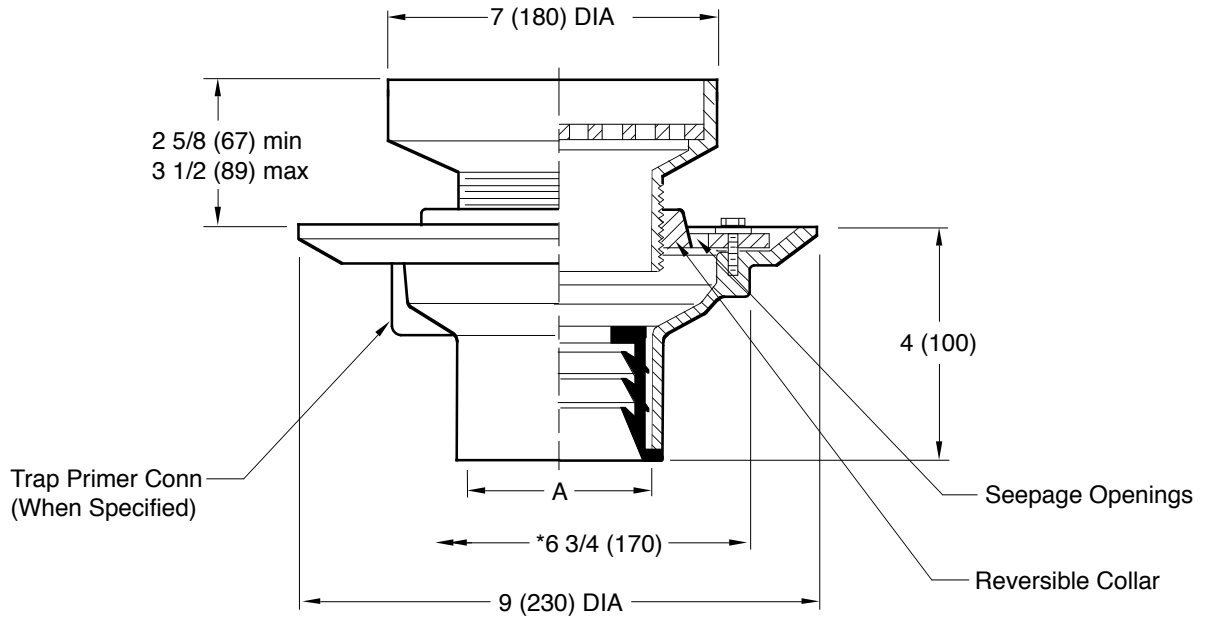


MEMBER OF:

LOCATION

# FLOOR DRAIN

Load Rating: Non-Traffic



A (Pipe Size) = 02(50), 03(75), 04(100), 05(125) or 06(150)

 Fig. 2005Y (-F37) . . . . . NO-HUB OUTLET

**NOTE:** Dimensions shown in parentheses are in millimeters.

**NOTE:** \* MIN 6 3/4 (170) hole required for core drilled applications.

### REGULARLY FURNISHED:

Duco Cast Iron Body and Flashing Collar, Adjustable Nickel Bronze Strainer Head as Indicated by Suffix Letter Selected. Flush with Floor Funnel with anti-Splash Rim and Grate.

### VARIATIONS:

- Trap Primer Connection -P050 1/2" (13)& -P075 3/4" (19)
- Vandal Proof Screws -U
- L Speedi-Set Service Weight 02(50), 03(80) & 04(100) sizes only
- LXH Speedi-Set Extra Heavy 02(50), 03(80) & 04(100) sizes only
- Quad Close Trap Seal (Specify Fig. 2692)

### OPTIONAL MATERIALS:

- Bronze Body -BB
- Chrome Plated Top -CP
- Galvanized Cast Iron Body -G
- Polished Bronze Top -PB

DRAWING NUMBER  
S2005 (-F37)SIZE  
ASCALE:  
NONEDATE:  
6-3-02

APPROVED BY:

CHECKED BY:

DRAWN BY:  
RN

WE CAN ASSUME NO RESPONSIBILITY FOR USE OF SUPERSEDED OR VOID DATA

DIMENSIONS ARE SUBJECT TO MANUFACTURERS TOLERANCE AND CHANGE WITHOUT NOTICE

2005 (-F37)

E	7-23-19	Added Load Rating	MW	JM
D	06/14/19	Removed Function	MW	JM
C	6-10-15	Revised Variations	TBW	CL
B	4-19-07	Added Gasket & Nickel Brz to REG.	RN	AL

WEIGHT  
POUNDSVOLUME  
CUBIC FEET

FIGURE NUMBER

2005 (-F37)

REV.	DATE	DESCRIPTION	BY	CKD. BY
------	------	-------------	----	---------



WARNING: Cancer and Reproductive Harm - www.P65Warnings.ca.gov