

DRAWING NUMBER
s2051

SIZE
A

SCALE:
NONE

DATE:
4-7-08

APPROVED BY:
CEL

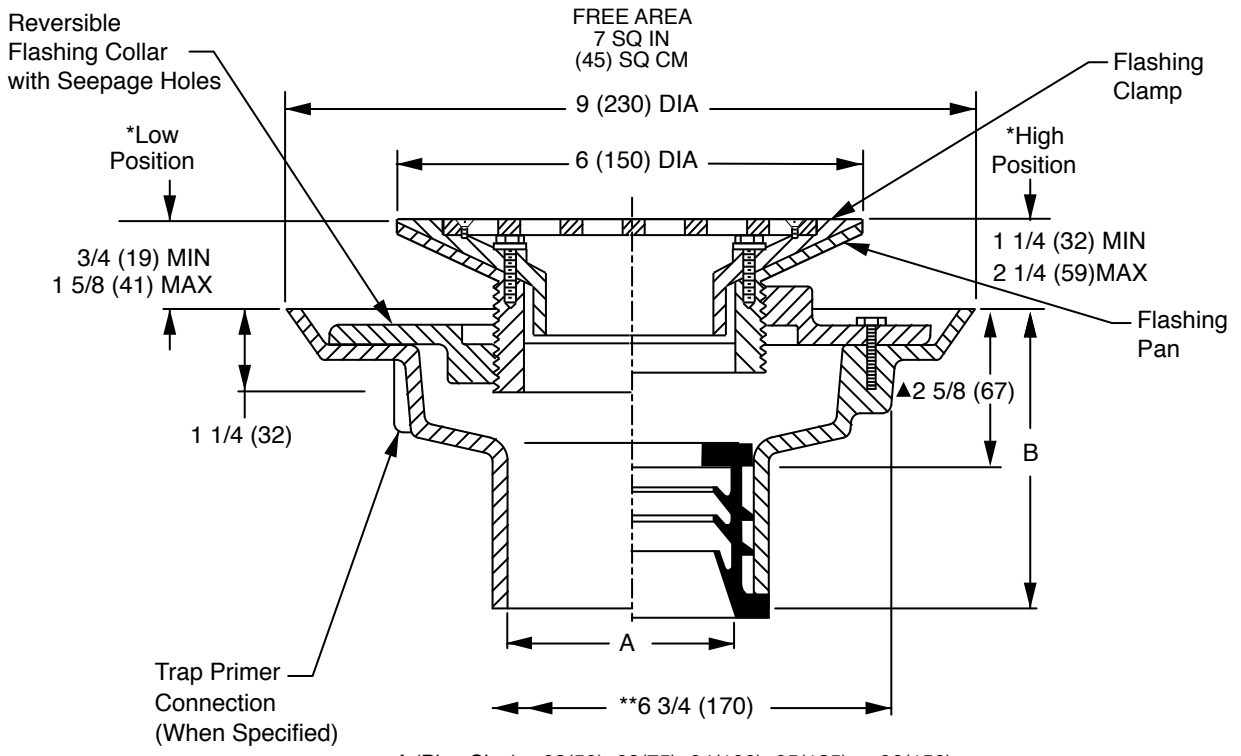
CHECKED BY:
CL

DRAWN BY:
TBW

FLOOR OR SHOWER DRAIN WITH ADJUSTABLE STRAINER HEAD

FLASHING STRAINER TYPE

Load Rating: Light Duty having a Safe Live (Static) Load less than 2,000 lbs. (900 kg) per ASME A112.6.3 Floor Drain Standard. For the specific Safe Live Load rating of any grate, contact the Smith representative or factory direct.



NOTE: When installing in an above grade floor, a waterproofing membrane is to be ran up to and over the drain body flange and clamped with reversible flashing collar. Membrane covering the center of drain body is to be trimmed to ensure flow through the drain is not blocked or obstructed.

A (Pipe Size) = 02(50), 03(75), 04(100), 05(125) or 06(150)

Fig. 2051Y..... NO-HUB Outlet
 Fig. 2051C..... Caulk Outlet

A SIZE	02(50), 03(75), 04(100), 05(125) or 06(150)
B	04(100 for NO-HUB, Caulk and Speedi-Set, 3(76) for Threaded

▲ This dimension to internal stop of Speedi-Set Gasket
 * Collar is reversible to obtain extreme high and low strainer positions.
 ** MIN 6 3/4"(170) hole required for core drilled application.
NOTE: 05(125) and 06(150) outlet size available in NO-HUB only.

REGULARLY FURNISHED:
 Duco Cast Iron Body with Flashing Collar and Adjustable Flashing Type Nickel Bronze Strainer.

NOTE: Dimensions shown in parentheses are in millimeters.

- VARIATIONS:**
- L Speedi-Set Service Weight 2(50), 3(75) & 4"(100) only
 - LXH Speedi-Set Extra Heavy 2(50), 3(75) & 4"(100) only
 - Trap Primer Connection -P050 1/2" (13) & -P075 3/4" (19)
 - Vandal Proof Screws -U
 - T Threaded Outlet

- OPTIONAL MATERIALS:**
- Galvanized Cast Iron Body -G
 - Polished Bronze Strainer -PB
 - Chrome Plated Strainer -CP

2051

DIMENSIONS ARE SUBJECT TO MANUFACTURERS TOLERANCE AND CHANGE WITHOUT NOTICE WE CAN ASSUME NO RESPONSIBILITY FOR USE OF SUPERSEDED OR VOID DATA

D	9-12-19	Revised Note Added Note, Rev. Drawing Added Load Rating Removed Function	MW	CL	WEIGHT POUNDS	VOLUME CUBIC FEET	FIGURE NUMBER 2051
C	8-26-19		MW	CL			
B	7-19-19		MW	JM			
A	6-17-19		MW	JM			
REV.	DATE	DESCRIPTION	BY	CKD. BY			