

**SMITH® JAY R. SMITH MFG. CO.®**  
 MEMBER OF MORRIS GROUP INTERNATIONAL  
 POST OFFICE BOX 3237  
 MONTGOMERY, ALABAMA 36109-0237 (USA)  
 TEL: 334-277-8520 FAX: 334-272-7396 www.jrsmith.com



LOCATION

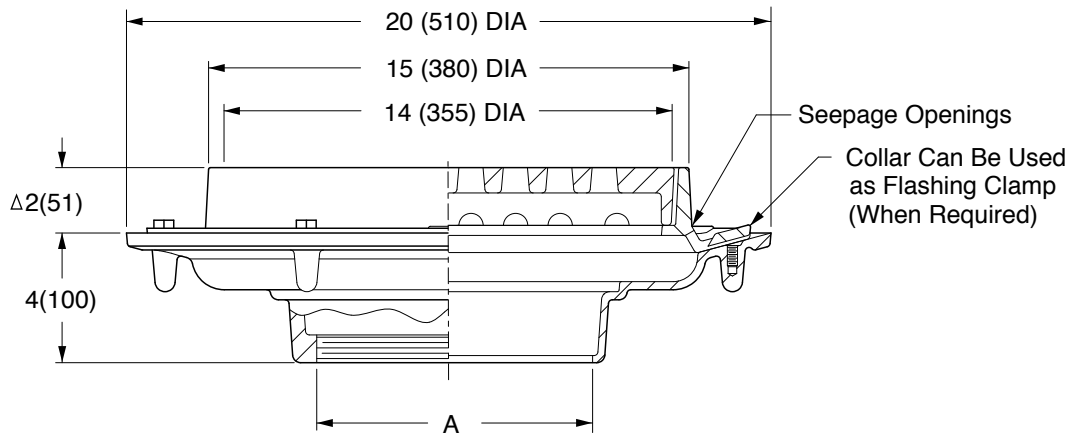
# FLOOR DRAINS

## WITH HEAVY DUTY TRACTOR GRATE

### 15" (380) ROUND TOP - HEAVY DUTY DRAINS

Load Rating: Heavy Duty having a Safe Live (Static) Load between 5,000 lbs. (2,250 kg) and 7,499 lbs (3,375 kg) per ASME A112.6.3 Floor Drain Standard. For the specific Safe Live Load rating of any grate, contact the Smith representative or factory direct.

Free Area  
 45 SQ IN  
 (290) SQ CM



A (Pipe Size) = 02(50), 03(75), 04(100), 05(125), 06(150) or 08(200)

- Fig. 2143C.....CAULK OUTLET
- Fig. 2143T.....THREADED OUTLET

Δ Add 1/4" (6) when bronze top is specified.

**REGULARLY FURNISHED:**  
 Duco Cast Iron Body and Flashing Collar with Cast Iron ADA Tractor Grate.

**VARIATIONS:**

- Dome Grate -D
- Flat Bottom Strainer -FBS
- NO-HUB Adaptor (Specify Fig. 2646Y)
- Square Top -S
- Vandal Proof -U
- 4"(100) High Collar -HC4
- Quad Close Trap Seal (Specify Fig. 2692)
- Bucket -B

**OPTIONAL MATERIALS:**

- Ductile Iron Grate -M
- Galvanized Cast Iron -G
- Nickel Bronze Top -NB
- Polished Bronze Top -PB
- Stainless Steel (Specify Fig. 9733)

**NOTE:** Dimensions shown in parentheses are in millimeters.

DRAWING NUMBER S2143

SIZE A

SCALE: NONE

DATE: 5-17-85

APPROVED BY: TD

CHECKED BY: TD

DRAWN BY: PJ

2143

FIGURE NUMBER

|      |         |                    |     |         |               |                   |               |
|------|---------|--------------------|-----|---------|---------------|-------------------|---------------|
| K    | 7-22-19 | Added Load Rating  | MW  | JM      | WEIGHT POUNDS | VOLUME CUBIC FEET | FIGURE NUMBER |
| J    | 6-17-19 | Removed Function   | MW  | JM      |               |                   |               |
| H    | 6-12-15 | Revised Variations | TBW | CL      |               |                   |               |
| G    | 4-14-14 | Added Free Area    | TBW | CL      |               |                   |               |
| REV. | DATE    | DESCRIPTION        | BY  | CKD. BY |               |                   |               |

**2143**