

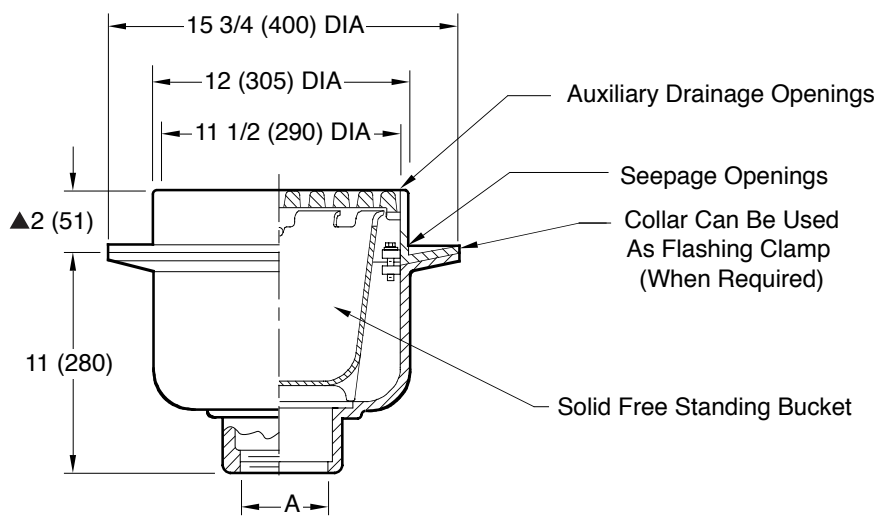
FLOOR DRAINS

WITH 12" (305) ROUND TOPS DEEP BODY - SEDIMENT BUCKET

MEDIUM DUTY DRAINS

Load Rating: Medium Duty having a Safe Live (Static) Load between 2,000 lbs. (900 kg) and 4,999 lbs. (2,250 kg) per ASME A112.6.3 Floor Drain Standard. For the specific Safe Live Load rating of any grate, contact the Smith representative or factory direct.

Free Area
 25.5 SQ IN
 (165) SQ CM



A (Pipe Size) = 02(50), 03(75), 04(100), 05(125) or 06(150)

- Fig. 2241C . . .CAULK OUTLET
- Fig. 2241T . . .THREADED OUTLET

▲ Add 5/16" (8) when bronze top is specified

REGULARLY FURNISHED:

Duco Cast Iron Body and Flashing Collar with Cast Iron Grate and Solid Free Standing Sediment Bucket.

VARIATIONS:

- Hinged Grate -H
- NO-HUB Adaptor (Specify Fig. 2646Y)
- Square Top -S
- Trap Primer Connection -P050 1/2" (13) & -P075 3/4" (19)
- Vandal Proof Grate -U
- Quad Close Trap Seal (Specify Fig. 2692)

OPTIONAL MATERIALS:

- Galvanized Cast Iron -G
- Nickel Bronze Top -NB
- Polished Bronze Top -PB

NOTE: Dimensions shown in parentheses are in millimeters.

DRAWING NUMBER S2241
 SIZE A
 SCALE: NONE
 DATE: 1-18-96
 APPROVED BY: BS
 CHECKED BY: WMS
 DRAWN BY: CMD
 FIGURE NUMBER 2241

WE CAN ASSUME NO RESPONSIBILITY FOR USE OF SUPERSEDED OR VOID DATA

C	7-22-19	Added Load Rating	MW	JM	WEIGHT	VOLUME	FIGURE NUMBER
B	6-18-19	Removed Function	MW	JM	POUNDS	CUBIC FEET	2241
A	6-12-15	Revised Variations	TBW	CL			
REV.	DATE	DESCRIPTION	BY	CKD. BY			