

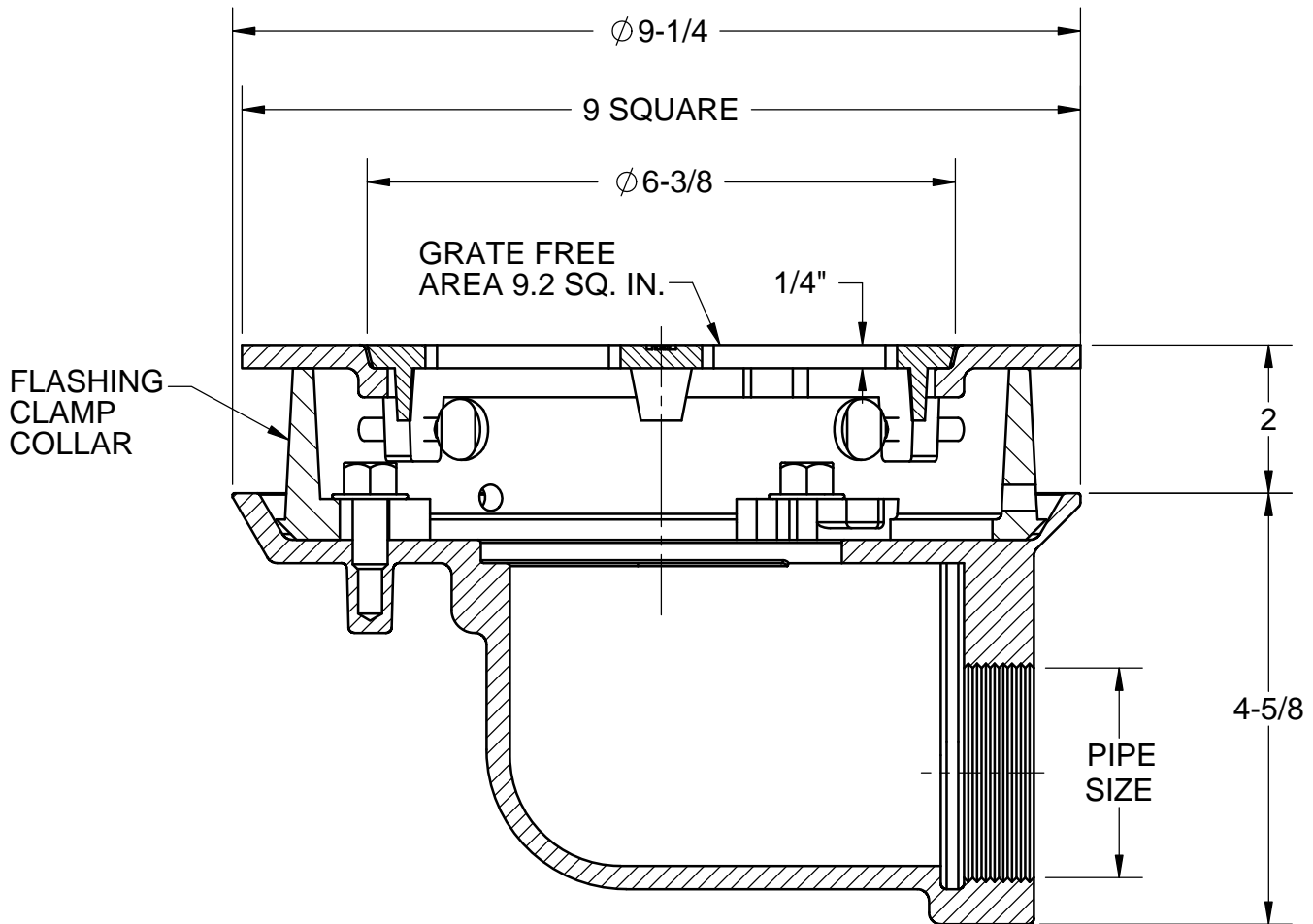
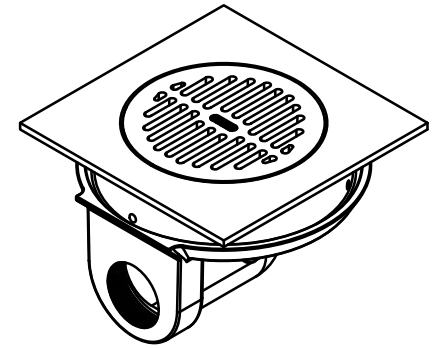
SPECIFICATION:

JOSAM 23730-TSO SERIES COATED CAST IRON ROOF DRAIN, ROUND PEDESTRIAN GRATE SET IN SQUARE SECURED FRAME, NON-PUNCTURING FLASHING COLLAR WITH WEEP HOLES FOR 2" ROOF FILL, SMALL SUMP WITH WIDE ROOF FLANGE AND THREADED SIDE OUTLET.

ROOF DRAIN
SMALL SUMP, PROMENADE TOP

SERIES **23730-TSO**

SLOT WIDTH 1/4"
MEETS ADA AND HEEL-PROOF REQUIREMENTS



* -TSO BODY CANNOT BE USED WITH DRAIN RECEIVER

** -12 EXTENSION 1" STANDARD

	2"	PIPE SIZE		-20	GALVANIZED CAST IRON PARTS
	3"	PIPE SIZE		-12-20	EXT. FLASHING COLLAR, GALVANIZED (SPECIFY HEIGHT **)
	4"	PIPE SIZE		-50	SATIN FINISH NIKALOY TOP
				-51	SATIN FINISH BRONZE TOP
X	-TSO *	THREADED SIDE OUTLET			
	-12	EXT. FLASHING COLLAR, CAST IRON (SPECIFY HEIGHT **)		-VP	SECURED GRATE, VANDAL-PROOF SCREWS

DATE OF LAST CHANGE: 12/11/13

DIMENSIONS ARE SUBJECT TO MANUFACTURERS TOLERANCES AND CHANGE WITHOUT NOTICE. WE CAN ASSUME NO RESPONSIBILITY FOR USE OF SUPERSEDED OR VOID DATA.

JOSAM COMPANY
MICHIGAN CITY, INDIANA

NOTES