

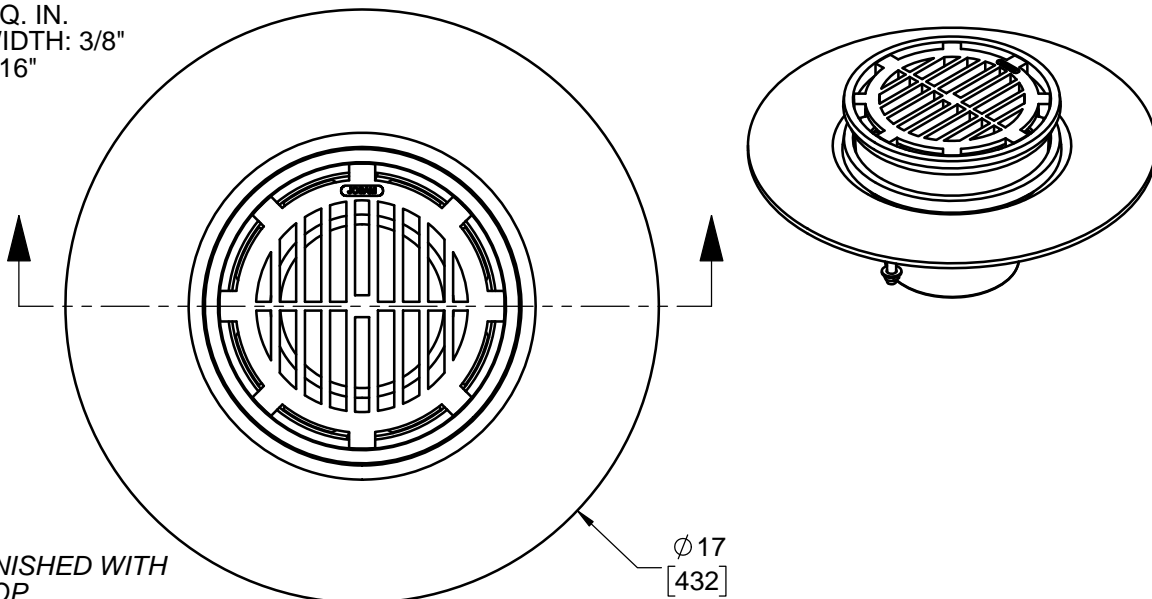
SPECIFICATION:

JOSAM SERIES 24020-10 COATED CAST IRON SUPER-FLO ROOF DRAIN, ROUND MEDIUM-DUTY ANTI-TILTING GRATE WITH PERIMETER DRAINAGE SLOTS, SET IN FIXED EXTENSION WHICH IS WELDED TO A ROUND NON-PUNCTURING MEMBRANE CLAMP RING, MEDIUM SUMP WITH WIDE DECK FLANGE AND BOTTOM INSIDE CAULK OUTLET CONNECTION.

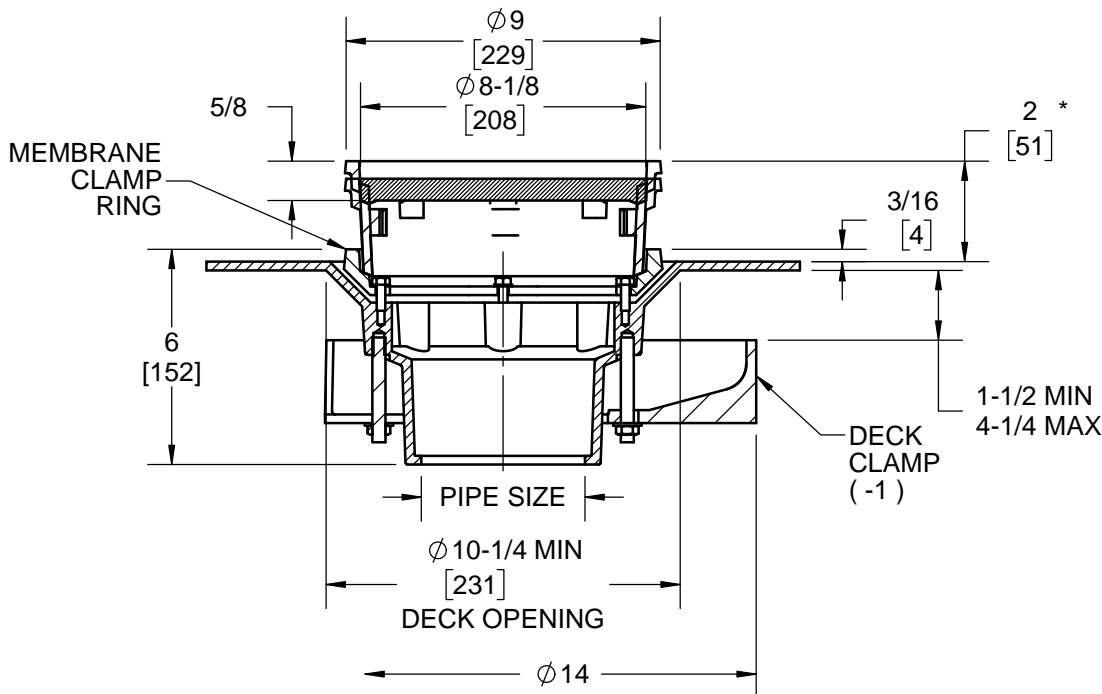
**ROOF DRAIN
COMPOSITION DECK**

SERIES **24020-10**

GRATE FREE AREA: 27 SQ. IN.
STD. CAST IRON SLOT WIDTH: 3/8"
-50 & -51 SLOT WIDTH: 3/16"



* ADD 1/4" WHEN FURNISHED WITH NIKALOY OR BRASS TOP



	2"	PIPE SIZE		-31	CHAIN ANCHORED GRATE
	3"	PIPE SIZE		-36	DUCTILE IRON GRATE (CAST IRON TOP ONLY)
	4"	PIPE SIZE		-38	LESS GRATE
	-1	DECK CLAMP ASSEMBLY		-50	SATIN FINISH NIKALOY TOP
X	-10	FIXED EXTENSION		-51	SATIN FINISH BRONZE TOP
	-20	GALVANIZED CAST IRON PARTS		-HP	HEEL-PROOF GRATE, CI , 5/16" SLOT WIDTH, 25 SQ. IN FREE AREA
	-29	SEDIMENT BUCKET, CAST IRON		-VP	SECURED GRATE
	-29-20	SEDIMENT BUCKET, GALVANIZED			
			X	-X	INSIDE CAULK OUTLET

DATE OF LAST CHANGE: 6/28/18

DIMENSIONS ARE SUBJECT TO MANUFACTURERS TOLERANCES AND CHANGE WITHOUT NOTICE. WE CAN ASSUME NO RESPONSIBILITY FOR USE OF SUPERSEDED OR VOID DATA.

JOSAM
MICHIGAN CITY, INDIANA

NOTES

WARNING: Cancer and Reproductive Harm - www.P65Warnings.ca.gov