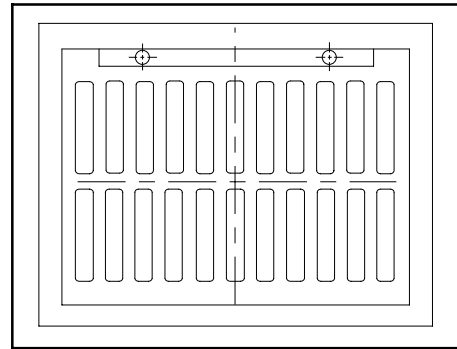


# TRAFFIC FLOOR DRAINS

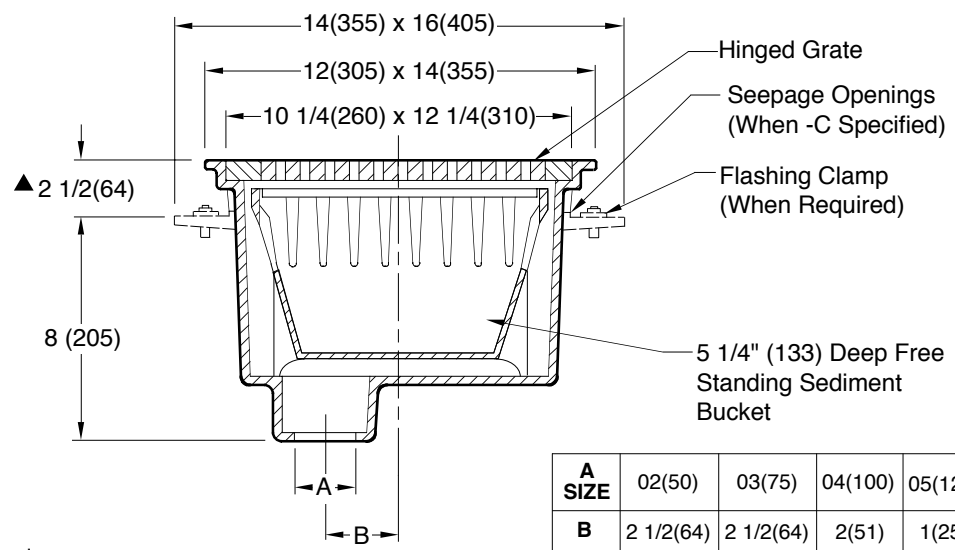
## MEDIUM DUTY DRAINS WITH OFFSET OUTLET HINGED GRATE AND FREE STANDING SEDIMENT BUCKET

Load Rating: Medium Duty having a Safe Live (Static) Load between 2,000 lbs. (900 kg) and 4,999 lbs. (2,250 kg) per ASME A112.6.3 Floor Drain Standard. For the specific Safe Live Load rating of any grate, contact the Smith representative or factory direct.

DRAWING NUMBER S2470  
 SIZE A  
 SCALE: NONE  
 DATE: 5-22-89  
 APPROVED BY: SB  
 CHECKED BY: McD  
 DRAWN BY: CMB  
 DIMENSIONS ARE SUBJECT TO MANUFACTURERS TOLERANCE AND CHANGE WITHOUT NOTICE  
 WE CAN ASSUME NO RESPONSIBILITY FOR USE OF SUPERSEDED OR VOID DATA



Free Area  
 47 SQ IN  
 (303) SQ CM



A SIZE	02(50)	03(75)	04(100)	05(125)	06(150)
B	2 1/2(64)	2 1/2(64)	2(51)	1(25)	1(25)

**NOTE:** Dimensions shown in parentheses are in millimeters.

- Fig. 2470C . . . LESS FLANGE
- Fig. 2473C . . . WITH FLANGE

▲ add 5/32"(4) when bronze top is specified.

**REGULARLY FURNISHED:**  
 Duco Cast Iron Body with Heavy Duty Hinged Grate and Cast Iron Sediment Bucket.

- VARIATIONS:**
- Flashing Clamp -C (Fig. 2473 only)
  - NO-HUB Adaptor (Specify Fig. 2646Y)
  - Vandal Proof Grate -U
  - T Threaded Outlet
  - Quad Close Trap Seal (Specify Fig. 2692)

- OPTIONAL MATERIALS:**
- Aluminum Bucket -AB
  - Ductile Iron Grate -M
  - Galvanized Cast Iron -G
  - Nickel Bronze Top -NB
  - Polished Bronze Top -PB
  - Stainless Steel (Specify Fig. 9755)

**2470, 2473**

REV.	DATE	DESCRIPTION	BY	CKD. BY	WEIGHT POUNDS	VOLUME CUBIC FEET	FIGURE NUMBER
J	7-25-19	Added Load Rating	MW	JM			<b>2470, 2473</b>
H	6-18-19	Removed Function	MW	JM			
G	2-17-17	Revised Table, Variations	TBW	CL			
F	7-2-15	Revised Variations	TBW	CL			