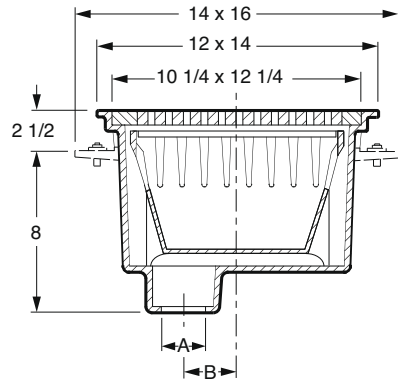


FLOOR DRAINS

FIG. 2470 HEAVY DUTY TRAFFIC FLOOR DRAIN WITH OFFSET OUTLET, HINGED GRATE AND FREE STANDING SEDIMENT BUCKET

FUNCTION: Used in moderate traffic areas where hinged rectangular grate is required. Hinged top permits easy access for fast and frequent removal of sediment bucket.



OUTLET VARIATIONS (Specify type of outlet and pipe size in inches.)

Outlet Type	Outlet Designation Outlet Type/Pipe Size	ADD
Inside Caulk	C02, C03, C04, C06	N/C
Threaded	T02, T03, T04, T06	77.00
No-Hub	Y02, Y03, Y04, Y06	See Fig. 2646Y for list add

OPTIONS:	ADD
-AB Aluminum Bucket	377.00
-FP Frost Proof Bucket	146.00
-G Galvanized CI	921.00
-M Ductile Iron Grate	613.00
-U Vandal Proof Screws	146.00

A OUTLET SIZE	TOP SIZE	FREE AREA SQ IN	†DUCO CI	DUCO CI PB TOP	DUCO CI NB TOP	APPROX. WEIGHT LBS
02, 03"	12 x 14"	47	1,726.00	2,839.00	3,061.00	69
04, 06"	12 x 14"	47	1,726.00	2,839.00	3,061.00	69

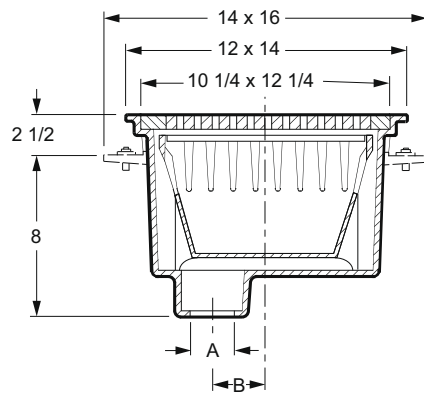
REGULARLY FURNISHED: Duco Cast Iron Body with Heavy Duty Hinged Grate and Cast Iron Sediment Bucket.

FLOOR DRAINS

FIG. 2473 HEAVY DUTY TRAFFIC FLOOR DRAIN WITH OFFSET OUTLET, HINGED GRATE AND FREE STANDING SEDIMENT BUCKET

FUNCTION: Used in moderate traffic areas where hinged rectangular grate is required. Hinged top permits easy access for fast and frequent removal of sediment bucket.

2473
Same as
2470 with
Flashing
Flange



OUTLET VARIATIONS (Specify type of outlet and pipe size in inches.)

Outlet Type	Outlet Designation Outlet Type/Pipe Size	ADD
Inside Caulk	C02, C03, C04, C06	N/C
Threaded	T02, T03, T04, T06	77.00
No-Hub	Y02, Y03, Y04, Y06	See Fig. 2646Y for list add

OPTIONS:	ADD
-AB Aluminum Bucket	377.00
-C Flashing Clamp	N/C
-FP Frost Proof Bucket	146.00
-G Galvanized CI	921.00
-M Ductile Iron Grate	613.00
-U Vandal Proof Screws	146.00

A OUTLET SIZE	TOP SIZE	FREE AREA SQ IN	B	†DUCO CI	DUCO CI PB TOP	DUCO CI NB TOP	APPROX. WEIGHT LBS
02"	12 x 14"	47	2 1/2"	2,108.00	3,221.00	3,443.00	69
03"	12 x 14"	47	2 1/2"	2,108.00	3,221.00	3,443.00	69
04"	12 x 14"	47	2"	2,108.00	3,221.00	3,443.00	69
06"	12 x 14"	47	1"	2,108.00	3,221.00	3,443.00	69

REGULARLY FURNISHED: Duco Cast Iron Body with Heavy Duty Hinged Grate and Cast Iron Sediment Bucket.