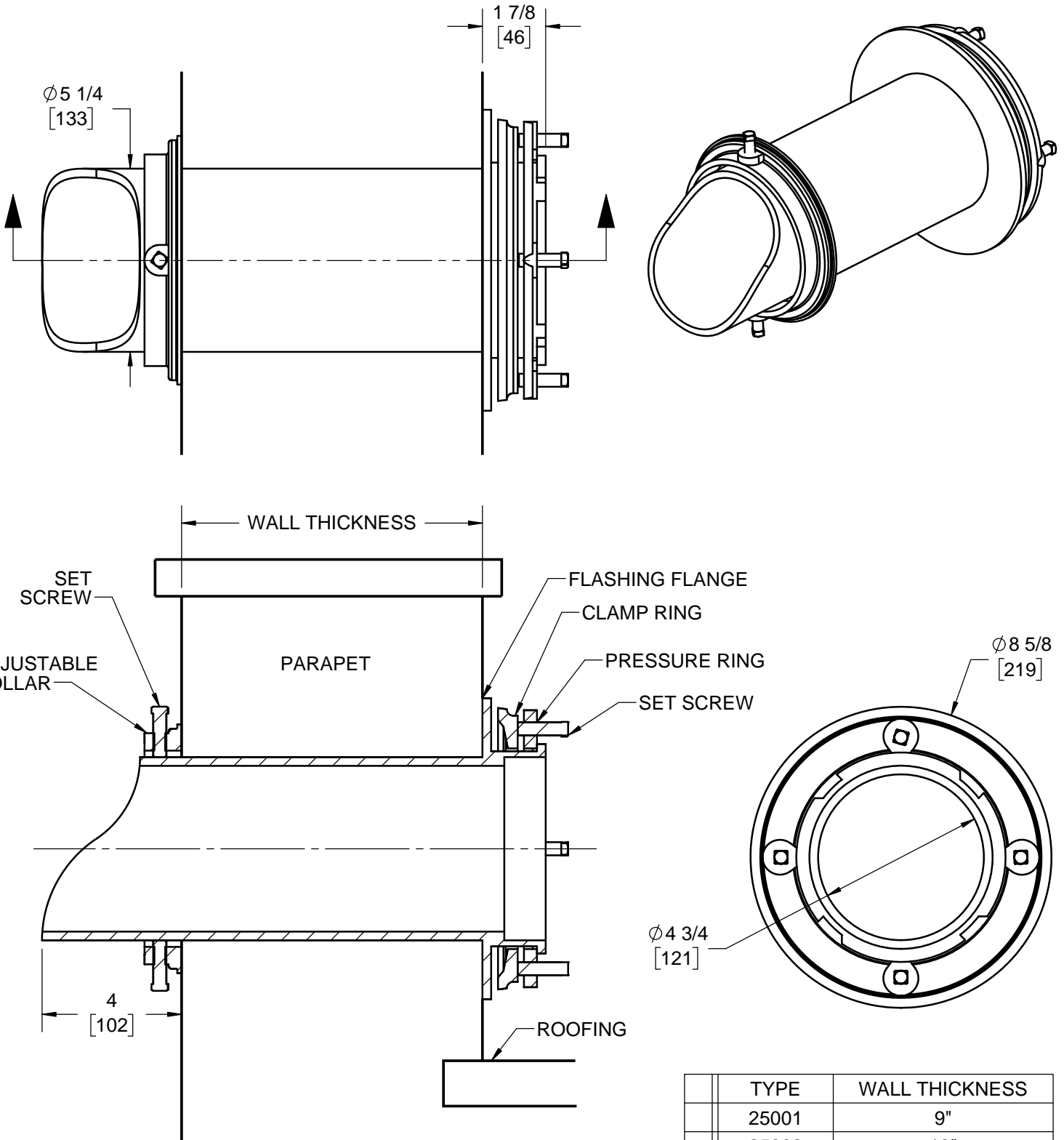


**SPECIFICATION:**

JOSAM 25000 SERIES COATED CAST IRON ROOF DRAIN, PARAPET SCUPPER SLEEVE TYPE, FLASHING CLAMP, TUBULAR BODY WITH FLASHING FLANGE AND ADJUSTABLE COLLAR.

**ROOF DRAIN  
PARAPET SCUPPER SLEEVE**

SERIES **25000**



-20 GALVANIZED CAST IRON PARTS

TYPE	WALL THICKNESS
25001	9"
25002	13"
25003	17"
25004	21"

WARNING: Cancer and Reproductive Harm - www.P65Warnings.ca.gov

DATE OF LAST CHANGE: 6/28/18  
 DIMENSIONS ARE SUBJECT TO MANUFACTURERS TOLERANCES AND CHANGE WITHOUT NOTICE. WE CAN ASSUME NO RESPONSIBILITY FOR USE OF SUPERSEDED OR VOID DATA.

**JOSAM**  
 MICHIGAN CITY, INDIANA

NOTES