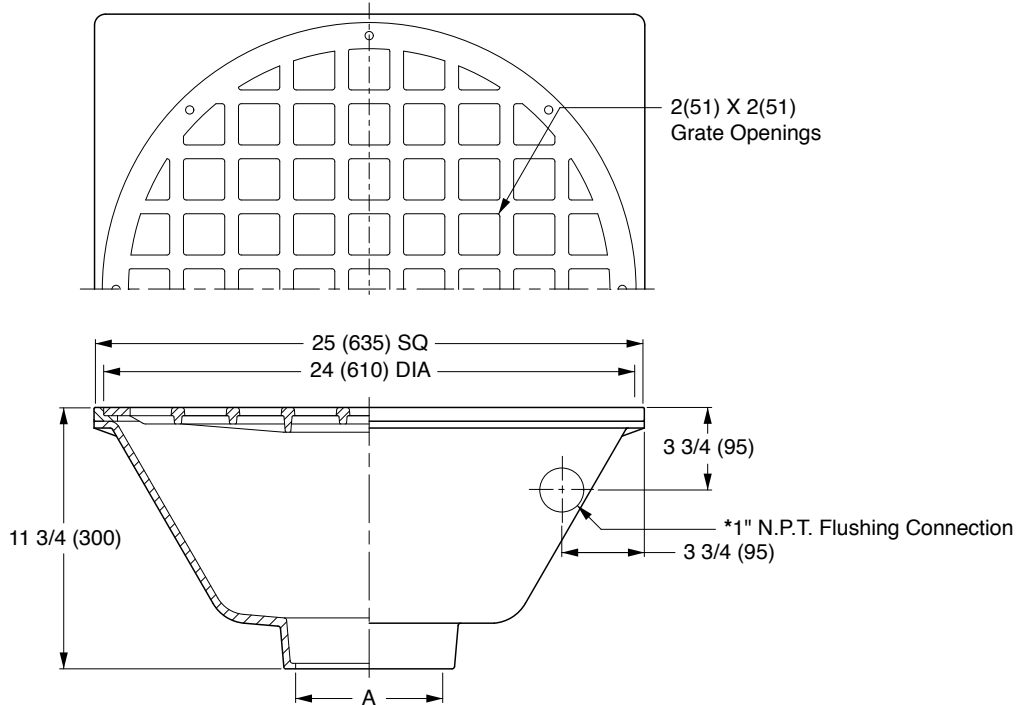


B  
 DRAWING NUMBER S2508  
 SIZE A  
 SCALE: NONE  
 DATE: 5-17-85  
 APPROVED BY: TD  
 CHECKED BY: TD  
 DRAWN BY: PJ  
 2508  
 DIMENSIONS ARE SUBJECT TO MANUFACTURERS TOLERANCE AND CHANGE WITHOUT NOTICE  
 WE CAN ASSUME NO RESPONSIBILITY FOR USE OF SUPERSEDED OR VOID DATA

# FLOOR DRAINS

**FUNCTION:** Used in biology laboratories and animal dens. Large grate openings permit animal wastes and other solids to be washed into drain. The acid resistant coated interior and flushing feature serve to maintain a sanitary condition.

Free Area  
 205 SQ IN  
 (1323) SQ CM



A (Pipe Size) = 04(100) or 06(150)

Fig. 2508C.....CAULK OUTLET

**\*NOTE:** The potable water supply to which a flushing type drain is connected must be protected by a suitable vacuum breaker.

**REGULARLY FURNISHED:**  
 Duco Cast Iron Body with Acid Resistant Coated Interior, Nickel Bronze Top with Secured Grate.

**VARIATIONS:**

Vandal Proof Grate -U

**OPTIONAL MATERIALS:**

- Duco Cast Iron Body -CI
- Galvanized Cast Iron -G
- Polished Bronze Strainer -PB

**NOTE:** Dimensions shown in parentheses are in millimeters.

FIGURE NUMBER	B	2-17-99	Submittal redraw	Illustrator	CMD	BS	WEIGHT POUNDS	VOLUME CUBIC FEET	FIGURE NUMBER
	A	11-09-93	Submittal Update		EMB	BS			2508
	REV.	DATE	DESCRIPTION	BY	CKD. BY				