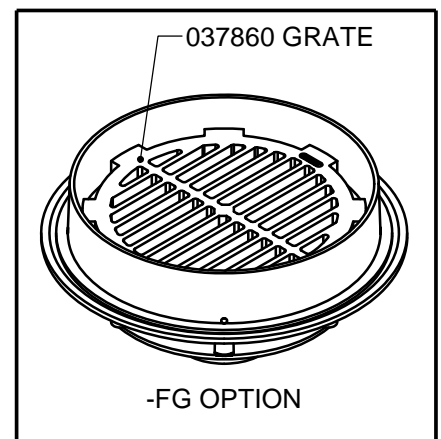
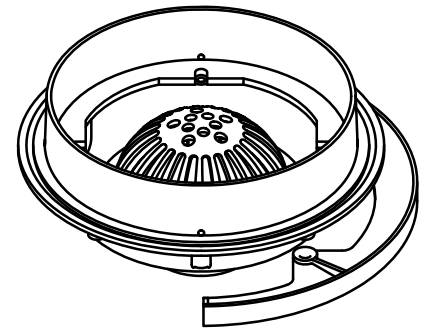
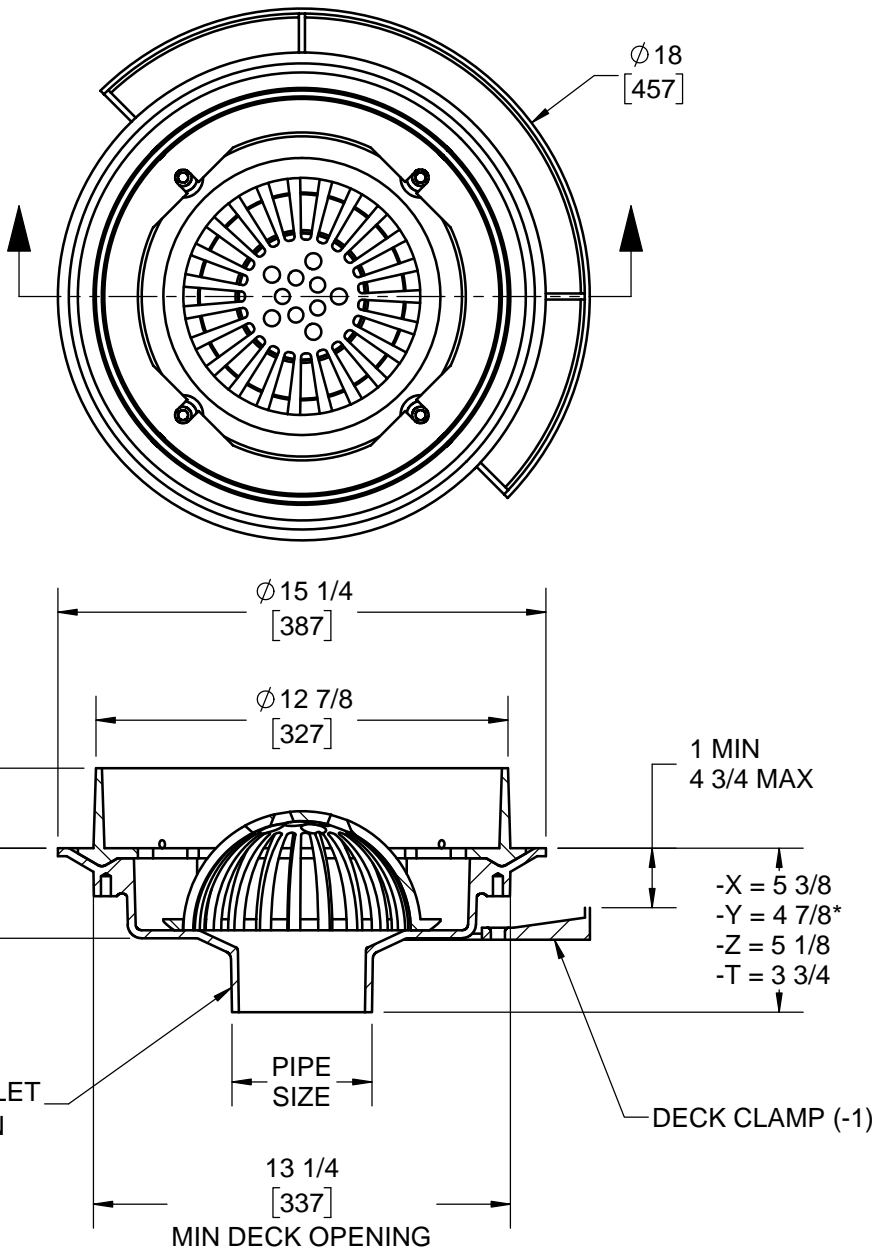


**SPECIFICATION:**

JOSAM 25500 SERIES COATED CAST IRON FLO-SEPTOR ROOF DRAIN, CAST IRON INTERNAL DOME STRAINER, COMBINED WEJLOC NON-PUNCTURING CLAMP RING AND SOLID WATER DAM, LARGE SUMP WITH WIDE ROOF FLANGE AND BOTTOM OUTLET.

**ROOF DRAIN  
FLO-SEPTOR LARGE SUMP**

SERIES **25500**



\*GASKET ON -Y CONNECTION CONFORMS WITH ASTM-C564

	PIPE SIZE
	2"
	3"
	4"
	5"
	6"

-AE	THREADED LEVELEZE® ADJ. EXT.
-OR	O-RING ADJUSTABLE EXTENSION
-CR	CLAMPING DRAIN RECEIVER (MIN. DECK OPENING $\phi$ 16")
-1	DECK CLAMP ASSEMBLY
-2	DRAIN RECEIVER
-3	DECK CLAMP ASSEMBLY & DRAIN RECEIVER
-20	GALVANIZED CAST IRON PARTS
-FG	FLAT GRATE (REPLACES DOME STRAINER)

-66	NO-HUB SIDE OUTLET
-T	THREADED OUTLET
-X	INSIDE CAULK OUTLET
-Y	HUB OUTLET WITH GASKET*
-Z	NO-HUB SPIGOT OUTLET

DATE OF LAST CHANGE: 6/29/18

DIMENSIONS ARE SUBJECT TO MANUFACTURERS TOLERANCES AND CHANGE WITHOUT NOTICE. WE CAN ASSUME NO RESPONSIBILITY FOR USE OF SUPERSEDED OR VOID DATA.

**JOSAM**  
MICHIGAN CITY, INDIANA

NOTES