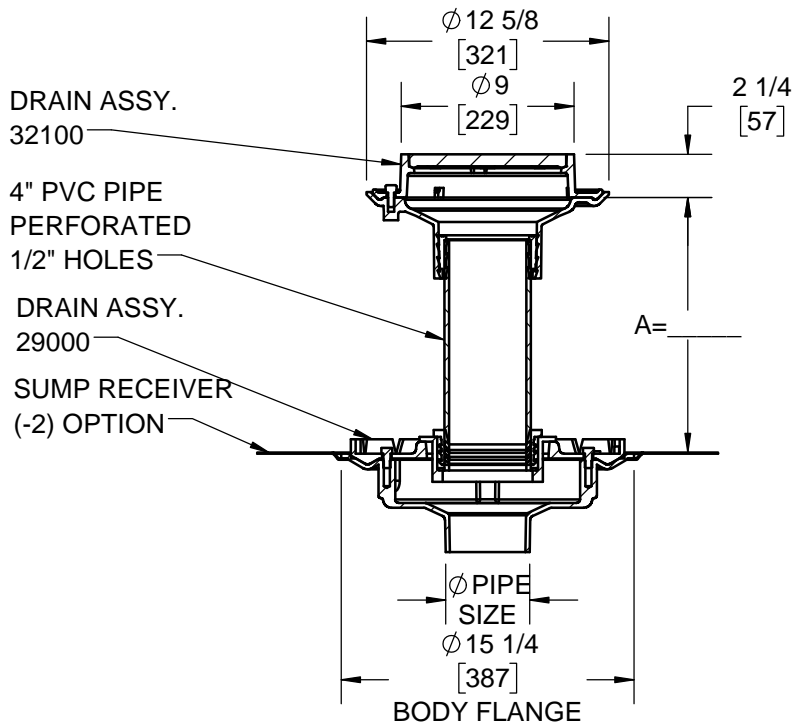
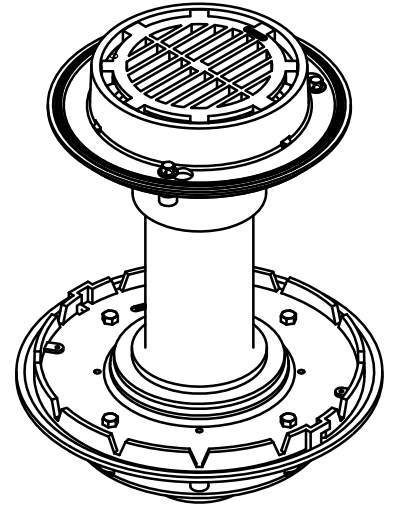
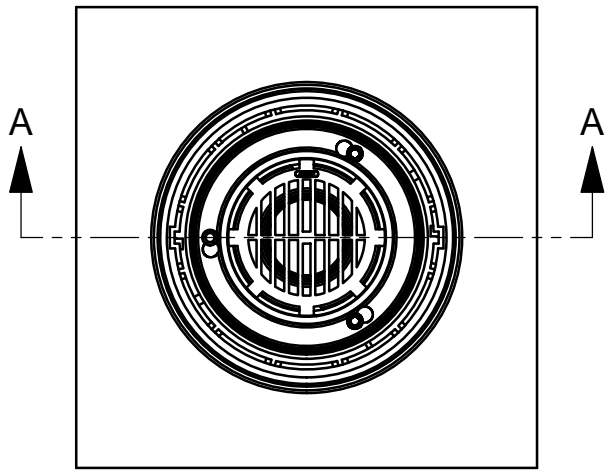


**SPECIFICATION:**

JOSAM SERIES 29000-Q602 COATED CAST IRON 32100 UPPER DRAIN AND WEJLOC CLAMP RING WITH 29000 LOWER SECTION. SEE 29000 AND 32100 SUBMITTALS FOR ALL AVAILABLE OPTIONS.

**ROOF DRAIN  
PLANTING AREA**

SERIES **29000-Q602**



**SECTION A-A  
SCALE 1 : 10**

-1	UNDERDECK CLAMP
-2	DRAIN RECEIVER (24" SQ.)
-VP	VANDALPROOF DOME
-X	CAULK OUTLET
-Y	PUSH-ON OUTLET
-T	THREADED OUTLET
-Z	NO-HUB OUTLET

PIPE SIZE
2"
3"
4"
5"
6"
8"

WARNING: Cancer and Reproductive Harm - www.P65Warnings.ca.gov

DATE OF LAST CHANGE: 7/02/18

DIMENSIONS ARE SUBJECT TO MANUFACTURERS TOLERANCES AND CHANGE WITHOUT NOTICE. WE CAN ASSUME NO RESPONSIBILITY FOR USE OF SUPERSEDED OR VOID DATA.



NOTES