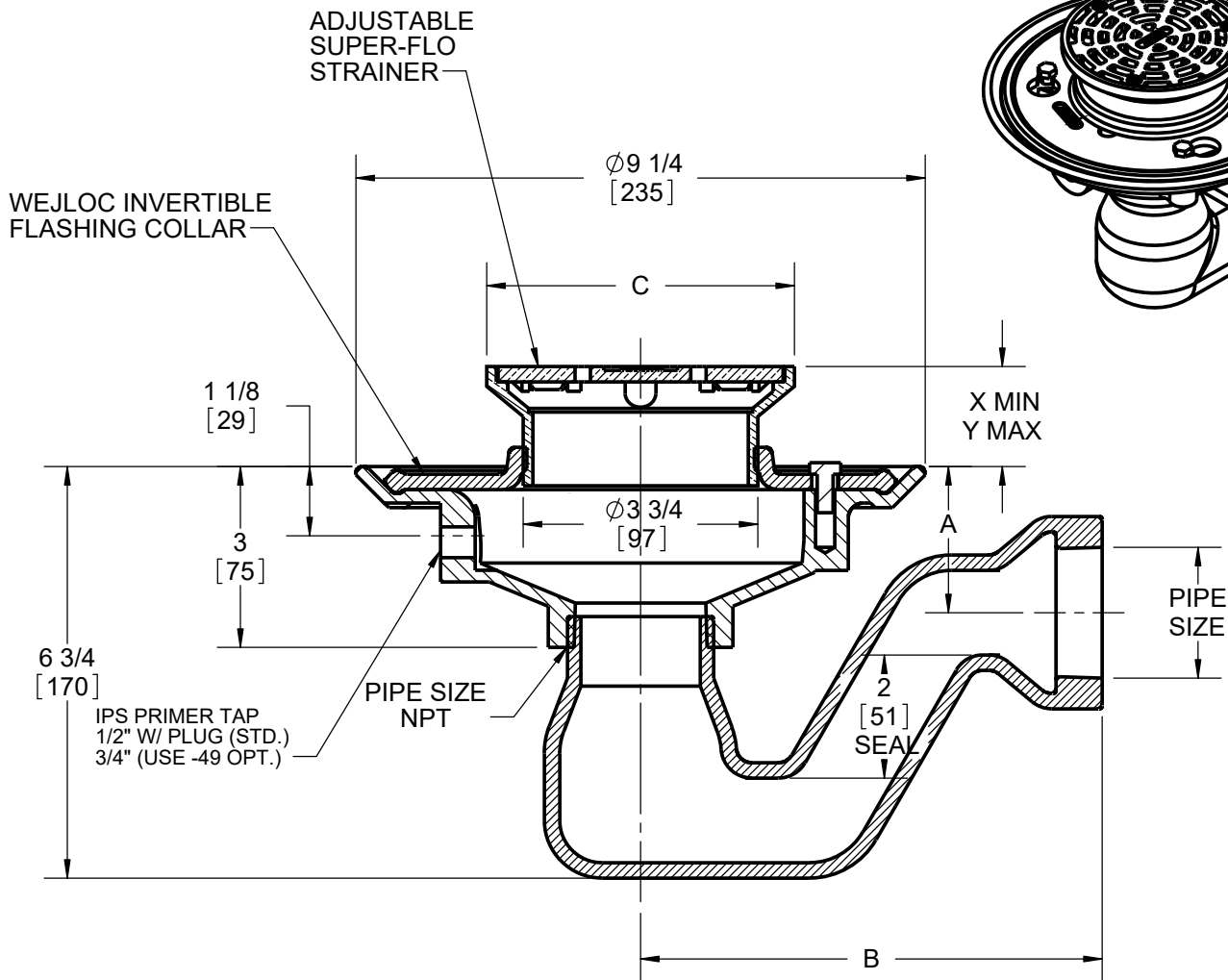


SPECIFICATION:

JOSAM 30000-ST-A SERIES COATED CAST IRON FLOOR DRAIN, TWO-PIECE BODY WITH DOUBLE DRAINAGE FLANGE AND 1/2" PRIMER TAP WITH PLUG, WEJLOC INVERTIBLE NON-PUNCTURING FLASHING COLLAR COLLAR WITH WEEPHOLES AND JOSAM ADJUSTABLE ROUND NIKALOY STRAINER.

**FLOOR DRAIN
SHALLOW TRAP,
ADJUSTABLE STRAINER**

SERIES **30000-ST-A**



MODEL	PIPE SIZE	A	B	TRAP WIDTH
30002-ST	2	2-1/2	7-1/2	3-1/8
30002-ST-Z	2	2-1/2	8	3-1/8
30003-ST	3	2-1/4	9-7/8	5-1/2
30003-ST-Z	3	2-1/4	10-1/4	5-1/2

-HD	HEAVY DUTY LOAD RATING (5A&6A ONLY)
-SS	STAINLESS STEEL STRAINER PARTS
-2	SATIN FIN. BRONZE STRAINER PARTS
-80	PERF. STAINLESS STEEL BASKET
-CP	CHROME PLATED STRNR (5A,6A)
-VP	SECURED GRATE, VANDAL-PROOF SCREWS
-ARE	ACID-RESISTING EPOXY
-49	3/4" PRIMER TAP
-92	GALVANIZED CAST IRON PARTS
-Z	NO-HUB SIDE OUTLET TRAP

ADJUSTABLE STRAINERS				
TYPE NO.	C	X	Y	FREE AREA
5A	5	3/4	2-1/8	7.8
6A	6	1-1/4	2-3/8	11.0
7A	7	1-1/8	2-7/8	13.2
8A	8	1-5/8	2-5/8	16.2

WARNING: Cancer and Reproductive Harm - www.P65Warnings.ca.gov

DATE OF LAST CHANGE: 07/24/18

DIMENSIONS ARE SUBJECT TO MANUFACTURERS TOLERANCES AND CHANGE WITHOUT NOTICE. WE CAN ASSUME NO RESPONSIBILITY FOR USE OF SUPERSEDED OR VOID DATA.

JOSAM

MICHIGAN CITY, INDIANA

NOTES