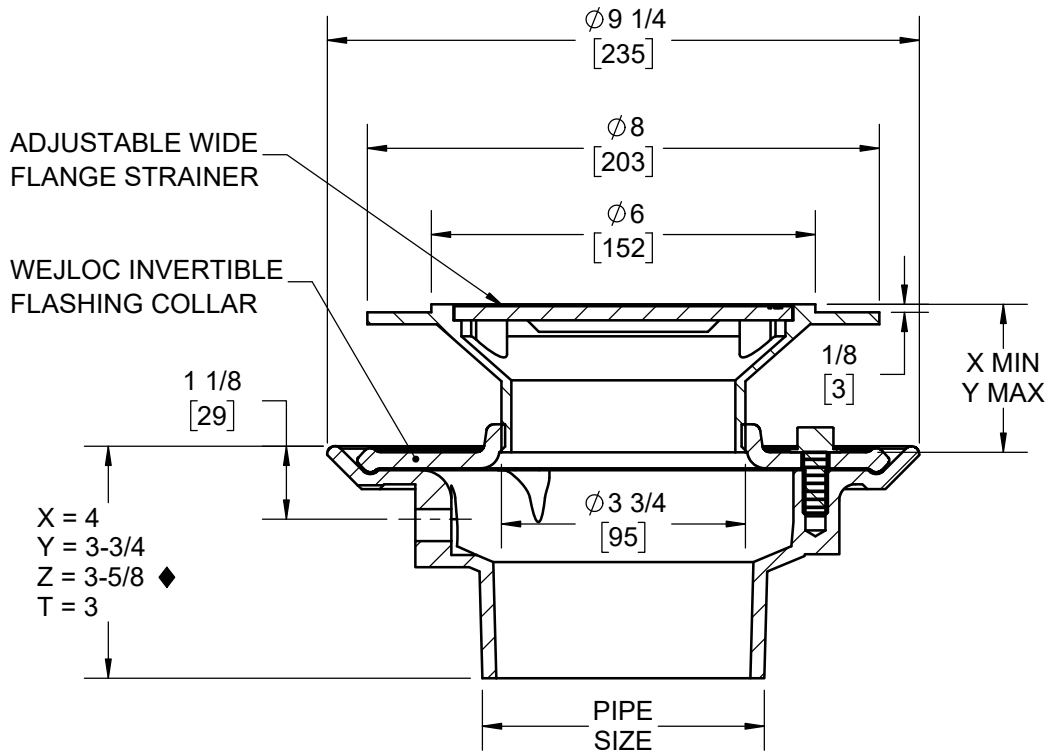
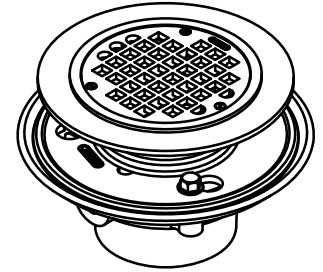


SPECIFICATION:

JOSAM SERIES 30000-AF CAST IRON FLOOR DRAIN, TWO-PIECE BODY WITH DOUBLE DRAINAGE FLANGE AND 1/2" PRIMER TAP, WEJLOC® INVERTIBLE FLASHING COLLAR, WEEPHOLES, BOTTOM OUTLET CONNECTION AND NIKALOY ADJUSTABLE ROUND STRAINER WITH TILE FLANGE.

**FLOOR DRAIN
ADJUSTABLE FLOOR DRAIN**

SERIES **30000-AF**



X = 4
Y = 3-3/4
Z = 3-5/8 ♦
T = 3

PIPE SIZE
2"
3"
4"

STRAINER	X	Y	FREE AREA
-6AF	1-1/4	2-3/8	10.4

♦ GASKET ON -Y CONNECTION CONFORMS WITH ASTM-C564

-2	BRONZE ADJUSTABLE STRAINER	-ST	WITH SHALLOW TRAP (2" & 3" SIZES ONLY)
-49	3/4" PRIMER TAP	-TSO	THREADED SIDE OUTLET
-80	PERFORATED STAINLESS STEEL BASKET	-VP	SECURED GRATE
-91	ROUGH BRONZE BODY		
-92	GALVANIZED CAST IRON PARTS	-T	THREADED OUTLET
-J	BACKWATER VALVE	-X	INSIDE CAULK OUTLET
-ARE	ACID-RESISTING EPOXY	-Y	HUB OUTLET WITH GASKET ♦
-PD	PRISON DRAIN (2" AND 3" SIZES ONLY)	-Z	NO-HUB SPIGOT OUTLET

DATE OF LAST CHANGE: 07/24/18

DIMENSIONS ARE SUBJECT TO MANUFACTURERS TOLERANCES AND CHANGE WITHOUT NOTICE. WE CAN ASSUME NO RESPONSIBILITY FOR USE OF SUPERSEDED OR VOID DATA.

JOSAM

MICHIGAN CITY, INDIANA

NOTES

WARNING: Cancer and Reproductive Harm - www.P65Warnings.ca.gov