

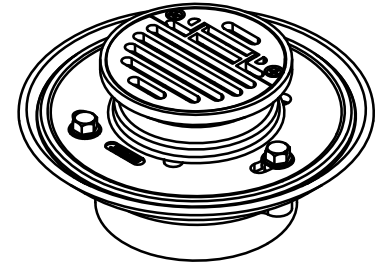
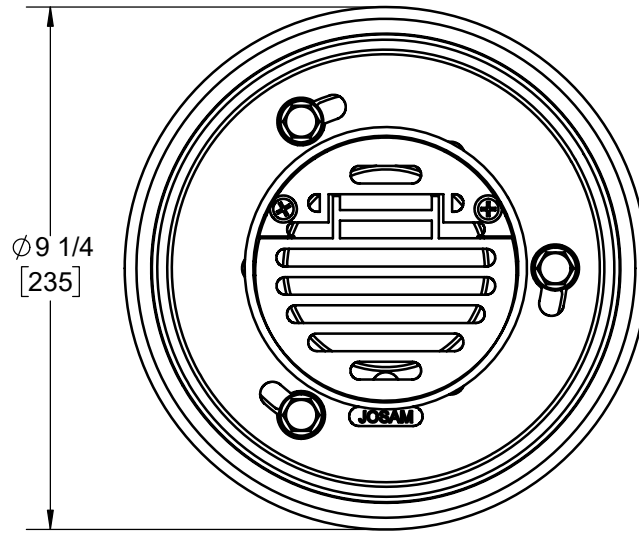
SPECIFICATION:

JOSAM SERIES 30000-H CAST IRON FLOOR DRAIN, TWO-PIECE BODY WITH DOUBLE DRAINAGE FLANGE AND 1/2" PRIMER TAP, WEJLOC® INVERTIBLE FLASHING COLLAR, WEEPHOLES, BOTTOM OUTLET CONNECTION AND NIKALOY ADJUSTABLE ROUND STRAINER WITH HINGED GRATE

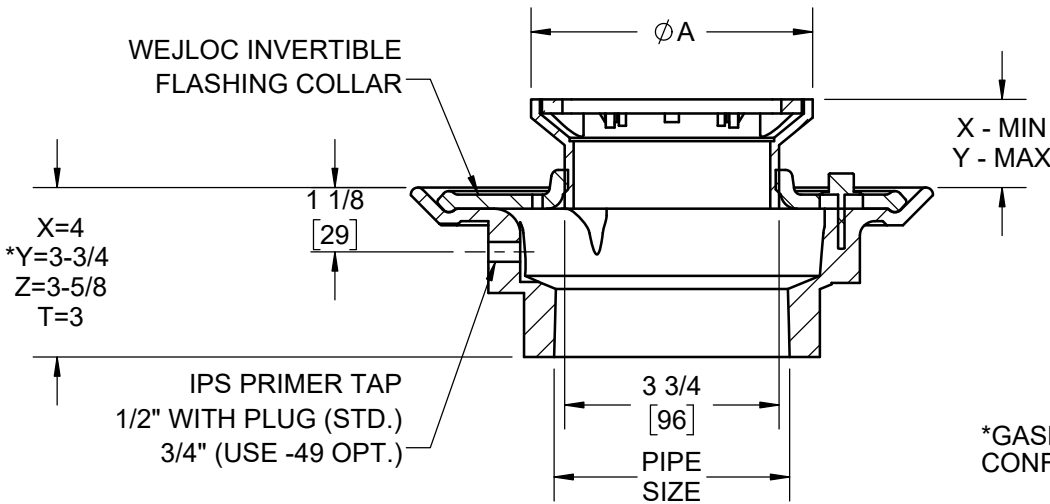
**FLOOR DRAIN
ADJUSTABLE FLOOR DRAIN**

SERIES **30000-H**

NOTE:
FOR STRAINER DETAILS
SEE "H" SUBMITTAL



ADJUSTABLE STRAINER
WITH HINGED GRATE



*GASKET ON -Y CONNECTION
CONFORMS WITH ASTM-C564

STRAINER	A	X	Y	FREE AREA
-5H	5	3/4	2	6
-6H	6	1	2-1/4	7.8
-7H	7	1	2-3/4	12.2
-8H	8	1-5/8	2-5/8	16.1

2"	PIPE SIZE	-91	ROUGH BRONZE BODY
3"	PIPE SIZE	-92	GALVANIZED CAST IRON PARTS
4"	PIPE SIZE	-2	BRONZE ADJUSTABLE STRAINER
		-J	BACKWATER VALVE
-TSO	THREADED SIDE OUTLET	-VP	SECURED GRATE, VANDAL-PROOF SCREWS
-WT	WITH TRAP	-T	THREADED OUTLET
-PD	PRISON DRAIN	-X	INSIDE CAULK OUTLET
-ARE	ACID-RESISTING EPOXY	-Y	*HUB OUTLET WITH GASKET
-49	3/4" PRIMER TAP	-Z	NO-HUB SPIGOT OUTLET

DATE OF LAST CHANGE: 12/11/18

DIMENSIONS ARE SUBJECT TO MANUFACTURERS TOLERANCES AND CHANGE WITHOUT NOTICE. WE CAN ASSUME NO RESPONSIBILITY FOR USE OF SUPERSEDED OR VOID DATA.



MICHIGAN CITY, INDIANA

NOTES