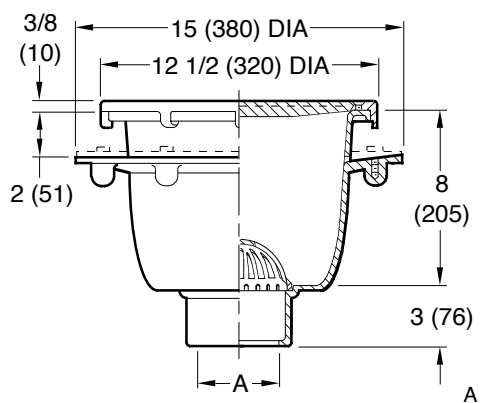


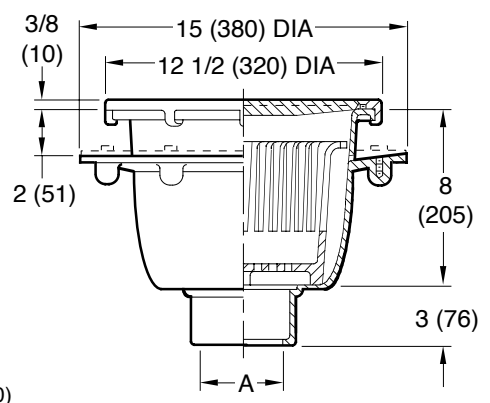
# SANI-CEPTOR® ACID RESISTANT COATED FLOOR & INDIRECT WASTE DRAINS

## ROUND NICKEL BRONZE TOP 12 1/2" (320) TOP - DEEP RECEPTORS

**FUNCTION:** Used in kitchens, hospitals, food markets, schools and all types of food handling areas where the ultimate in sanitation is desirable and a large capacity receptor is required.



Free Area  
30 SQ IN  
(194) SQ CM



**WITH DOME BOTTOM STRAINER**

**WITH SEDIMENT BUCKET**

- Fig. 3060C . . . . . CAULK OUTLET
- Fig. 3060Y . . . . . NO-HUB OUTLET

- Fig. 3061C . . . . . CAULK OUTLET
- Fig. 3061Y . . . . . NO-HUB OUTLET

### FEATURES, OPTIONS & ORDERING INFORMATION

**REGULARLY FURNISHED:** Cast Iron Flanged Receptor with Seepage Holes, Acid Resistant Coated Interior, Nickel Bronze Rim and Secured Grate. Aluminum Dome Bottom Strainer or Sediment Bucket as Indicated by Figure Number.

- OPTIONAL MATERIALS:**
- All Duco Cast Iron Receptor -CI
  - All Galvanized Receptor -G

**NOTE:** Dimensions shown in parentheses are in millimeters.

- VARIATIONS:**
- Aluminum Flat Bottom Strainer -FBS
  - Flashing Clamp -C
  - Less Flange (Specify Fig. 3065, 3066)
  - Polished Aluminum Dome Bottom Strainer -PDBS
  - Vandal Proof Screws -U
  - L Speedi-Set Service Weight  
02(50), 03(80) & 04"(100) sizes only
  - LXH Speedi-Set Extra Heavy  
02(50), 03(80) & 04"(100) sizes only

SUFFIX NUMBER	ROUND RIM	DESCRIPTION
<input type="checkbox"/>	-10	Less NB Rim and Grate
<input type="checkbox"/>	-11	Less Grate w/NB Rim
<input type="checkbox"/>	-12	With NB Rim and 1/2 Grate
<input type="checkbox"/>	-13	With NB Rim and 3/4 Grate
<input type="checkbox"/>	-14	With NB Rim and Grate with 2 1/2"(64) SQ Center Hole
<input type="checkbox"/>	-15	With NB Rim and Aluminum Recessed Grate
<input type="checkbox"/>	-19	With NB Rim and Hinged Grate
<input type="checkbox"/>	-21	With NB Rim and Grate with 4"(100) DIA NB Funnel
<input type="checkbox"/>	-22	With NB Rim and Grate with 6"(150) DIA NB Funnel
<input type="checkbox"/>	-25	With NB Rim and Grate with 8 1/4(210) x 3 1/4(83) x 4 1/2"(115) High Oval NB Funnel
<input type="checkbox"/>	-26	With NB Rim and Grate with 6(150) x 2 1/2(64) x 1"(25) High Oval NB Funnel
<input type="checkbox"/>	-41	With NB Rim and Solid Cover
<input type="checkbox"/>	-42	With NB Rim and 1/2 Solid Cover
<input type="checkbox"/>	-43	With NB Rim and 3/4 Solid Cover
<input type="checkbox"/>	-44	With NB Rim and Solid Cover with 2 1/2" (64) DIA Center Hole
<input type="checkbox"/>	-51	With Square NB Rim and Round Grate

DRAWING NUMBER: S3060  
 SIZE: A  
 SCALE: NONE  
 DATE: 2-15-85  
 APPROVED BY: JD  
 CHECKED BY: JD  
 DRAWN BY: PJ  
**3060, 3061**  
 DIMENSIONS ARE SUBJECT TO MANUFACTURERS TOLERANCE AND CHANGE WITHOUT NOTICE  
 WE CAN ASSUME NO RESPONSIBILITY FOR USE OF SUPERSEDED OR VOID DATA

<b>H G F</b>	01/20/11 10/19/09 4-8-96	Updated Logo Added -51 Suffix Number Rev Rim Description	JJ JJ EMB	TW CL CL	WEIGHT POUNDS	VOLUME CUBIC FEET	<b>FIGURE NUMBER</b>  <b>3060, 3061</b>
REV.	DATE	DESCRIPTION	BY	CKD. BY			