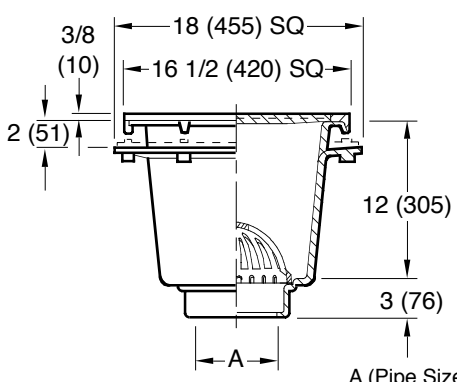


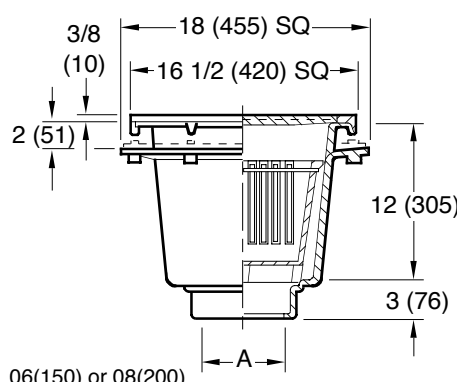
SANI-CEPTOR® ACID RESISTANT COATED FLOOR & INDIRECT WASTE DRAINS

SQUARE NICKEL BRONZE TOP 16 1/2" (420) TOP - EXTRA DEEP RECEPTORS

FUNCTION: Used in kitchens, schools, laundries and other commercial installations where a large volume of waste is anticipated and the ultimate in sanitation is desirable.



Free Area
77 SQ IN
(497) SQ CM



WITH DOME BOTTOM STRAINER

WITH SEDIMENT BUCKET



FEATURES, OPTIONS & ORDERING INFORMATION

REGULARLY FURNISHED: Cast Iron Flanged Receptor with Seepage Holes, Acid Resistant Coated Interior, Nickel Bronze Rim and Secured Grate. Aluminum Dome Bottom Strainer or Sediment Bucket as Indicated by Figure Number.

- VARIATIONS:**
- Aluminum Flat Bottom Strainer -FBS
 - Flashing Clamp -C
 - Polished Aluminum Dome Bottom Strainer -PDBS
 - Vandal Proof Screws -U

- OPTIONAL MATERIALS:**
- All Duco Cast Iron Receptor -CI
 - All Galvanized Receptor -G

NOTE: Dimensions shown in parentheses are in millimeters.

SUFFIX NUMBER SQUARE RIM

	SUFFIX NUMBER	DESCRIPTION
<input type="checkbox"/>	-10	Less NB Rim and Grate
<input type="checkbox"/>	-11	Less Grate w/NB Rim
<input type="checkbox"/>	-12	With NB Rim and 1/2 Grate
<input type="checkbox"/>	-13	With NB Rim and 3/4 Grate
<input type="checkbox"/>	-14	With NB Rim and Grate with 7" (180) SQ Center Hole
<input type="checkbox"/>	-21	With NB Rim and Grate with 4" (100) DIA NB Funnel
<input type="checkbox"/>	-22	With NB Rim and Grate with 6" (150) DIA NB Funnel
<input type="checkbox"/>	-25	With NB Rim and Grate with 8 1/4(210) x 3 1/4(83) x 4 1/2"(115) High Oval NB Funnel
<input type="checkbox"/>	-26	With NB Rim and Grate with 6(150) x 2 1/2(64) x 1"(25) High Oval NB Funnel
<input type="checkbox"/>	-41	With NB Rim and Solid Cover
<input type="checkbox"/>	-42	With NB Rim and 1/2 Solid Cover
<input type="checkbox"/>	-43	With NB Rim and 3/4 Solid Cover
<input type="checkbox"/>	-44	With NB Rim and Solid Cover with 2 1/2" (64) DIA Center Hole

DRAWING NUMBER S3200
 SIZE A
 SCALE: NONE
 DATE: 9-19-85
 APPROVED BY: SJM
 CHECKED BY: JD
 DRAWN BY: CM
 3200, 3201
 DIMENSIONS ARE SUBJECT TO MANUFACTURERS TOLERANCE AND CHANGE WITHOUT NOTICE
 WE CAN ASSUME NO RESPONSIBILITY FOR USE OF SUPERSEDED OR VOID DATA

L	01/20/11	Updated Logo	JJ	TW	WEIGHT POUNDS	VOLUME CUBIC FEET	FIGURE NUMBER
K	10-1-03	Rev Variations	TBW	BW			3200, 3201
REV.	DATE	DESCRIPTION	BY	CKD. BY			