

SPECIFICATION:

JOSAM 32100-66 SERIES COATED CAST IRON FLOOR DRAIN, TWO PIECE BODY WITH DOUBLE DRAINAGE FLANGE, WEJLOC® NON-PUNCTURING FLASHING COLLAR, WEEPHOLES, SIDE OUTLET, ROUND TOP, MEDIUM DUTY LOOSE-SET ANTI-TILTING SUPER - FLO GRATE WITH PERIMETER DRAINAGE SLOTS AND NO-HUB SIDE OUTLET.

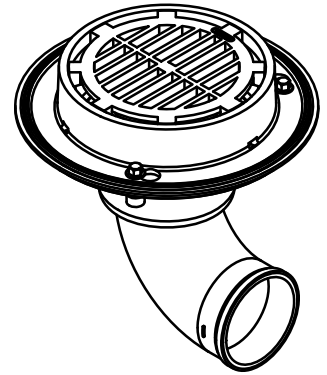
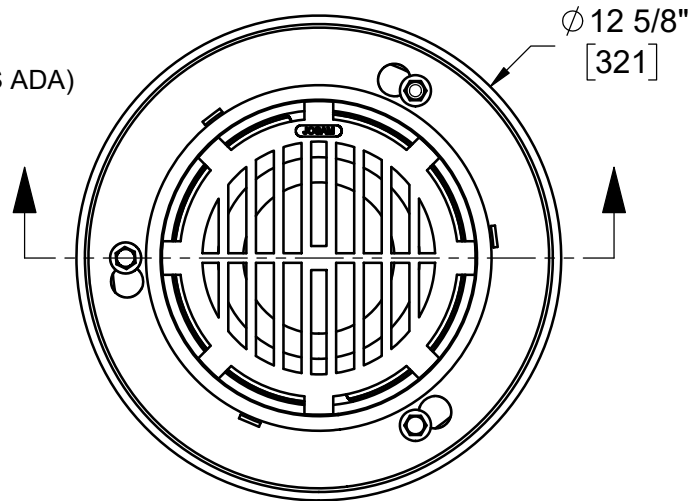
FLOOR DRAIN
9" ROUND TOP, SUPER-FLO®

SERIES **32100-66**

GRATE FREE AREA: 27 IN²

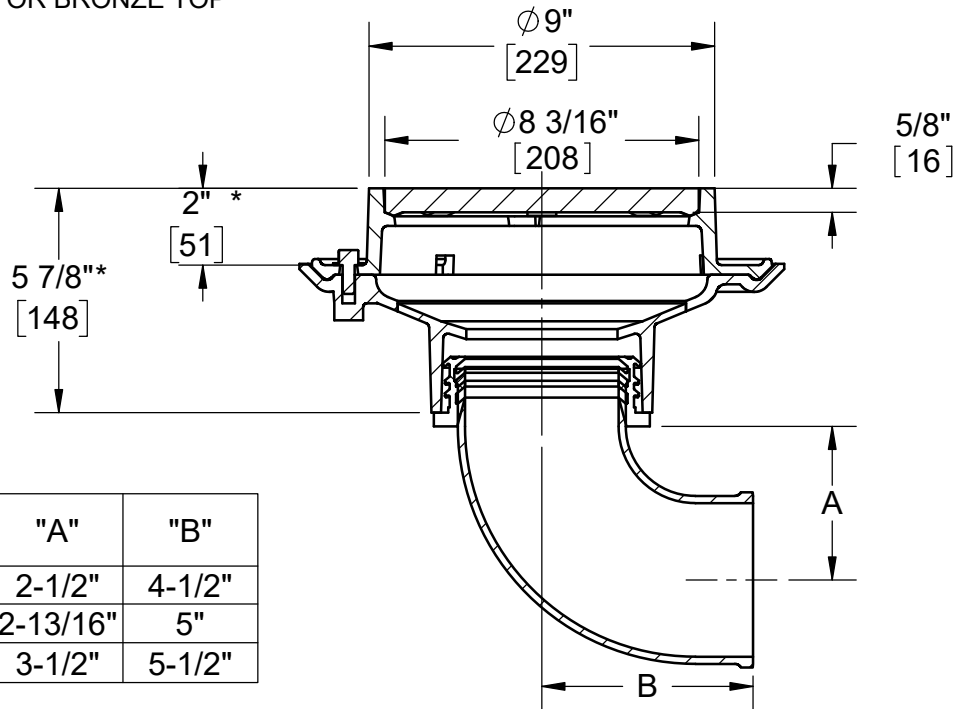
STD. CI SLOT WIDTH: 3/8" (MEETS ADA)

(-1 AND -2 SLOT WIDTH: 3/16")
 (MEETS ADA AND HEEL PROOF)



□ CONFORMS WITH ASTM-C564

*ADD 1/4" WHEN FURNISHED WITH NIKALOY OR BRONZE TOP (-1 OR -2)



	PIPE SIZE	"A"	"B"
	2"	2-1/2"	4-1/2"
	3"	2-13/16"	5"
	4"	3-1/2"	5-1/2"

X	-66	NO-HUB SIDE OUTLET		-15	CHAINED GRATE
				-13-2	DOME GRATE, BRONZE
X	-Z	NO-HUB		-14-1	HINGED GRATE, NIKALOY
	-VP	SECURED GRATE, VANDALL-PROOF SCREWS		-15	CHAINED GRATE
	-HP	HEEL-PROOF GRATE, CI, 5/16" SLOT WIDTH, 25 SQ IN FREE AREA		-39	SOLID CAST IRON COVER
	-1	SATIN FINISH NIKALOY TOP		-44	FIXED EXT. COLLAR, CAST IRON (SPECIFY HT.), 2" STD.
	-2	SATIN FINISH BRONZE TOP		-44-92	FIXED EXT. COLLAR, GALV. (SPECIFY HT.), 2" STD.
	-7	DUCTILE IRON GRATE		-49	3/4" PRIMER TAP
	-11	EXTRA HEAVY-DUTY GRATE, CAST IRON		-50	1/2" PRIMER TAP
	-13	DOME GRATE, CAST IRON		-81	SLOTTED CAST IRON BUCKET
	-13-1	DOME GRATE, NIKALOY		-84	STAINLESS STEEL MESH BUCKET LINER
	-13-2	DOME GRATE, BRONZE		-92	GALVANIZED CAST IRON PARTS
	-14-1	HINGED GRATE, NIKALOY		-ARE	ACID-RESISTING EPOXY

DATE OF LAST CHANGE: 07/23/18

DIMENSIONS ARE SUBJECT TO MANUFACTURERS TOLERANCES AND CHANGE WITHOUT NOTICE. WE CAN ASSUME NO RESPONSIBILITY FOR USE OF SUPERSEDED OR VOID DATA.

JOSAM

MICHIGAN CITY, INDIANA

NOTES