

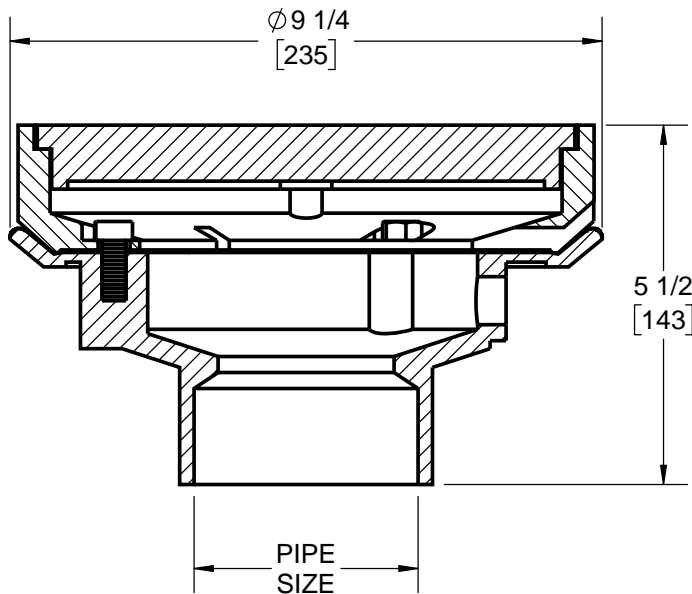
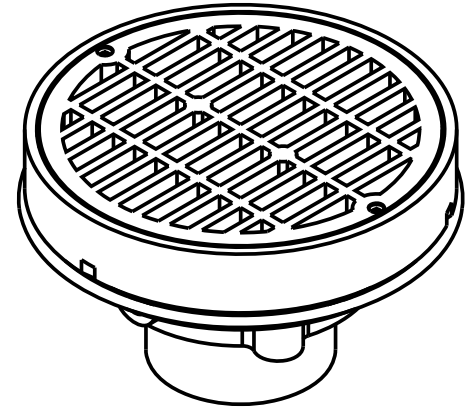
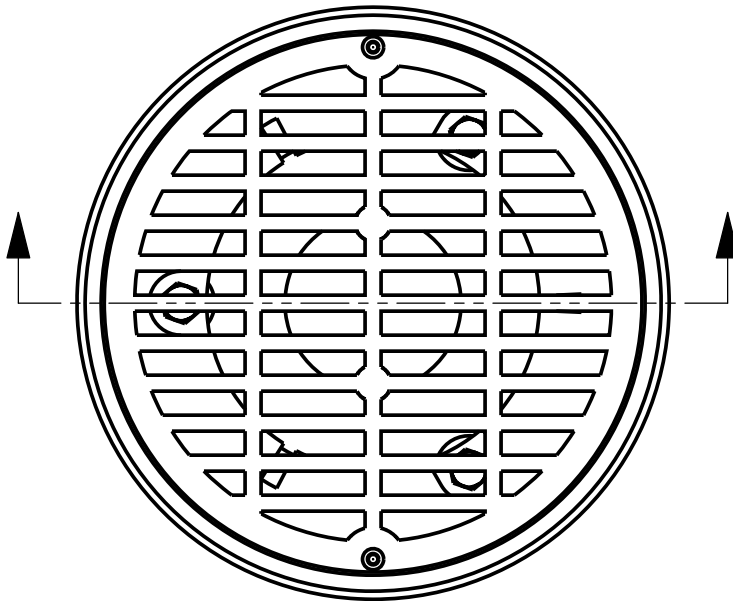
SPECIFICATION:

JOSAM 32100-PVC SERIES PVC FLOOR DRAIN, TWO-PIECE BODY WITH DOUBLE DRAINAGE FLANGE, WEJLOC NON-PUNCTURING CLAMP COLLAR WITH WEEPHOLES, 9" ROUND PVC GRATE AND SOLVENT WELD BOTTOM OUTLET FOR SCHEDULE 40 PVC PIPE.

FLOOR DRAIN

PVC, 9" ROUND

SERIES **32100-PVC**



OPTIONS:

	2"	PIPE SIZE - 32102-PVC
	3"	PIPE SIZE - 32103-PVC
	4"	PIPE SIZE - 32104-PVC
	-HG	HALF GRATE
	-B	BUCKET
	-49	3/4" PRIMER TAP
	-50	1/2" PRIMER TAP

WARNING: Cancer and Reproductive Harm - www.P65Warnings.ca.gov

DATE OF LAST CHANGE: 7/03/18

DIMENSIONS ARE SUBJECT TO MANUFACTURERS TOLERANCES AND CHANGE WITHOUT NOTICE. WE CAN ASSUME NO RESPONSIBILITY FOR USE OF SUPERSEDED OR VOID DATA.

JOSAM

MICHIGAN CITY, INDIANA

NOTES