

SPECIFICATION:

JOSAM 32200-AE-10-SD SERIES COATED CAST IRON LEVELZEZE® FLOOR DRAIN WITH ROUND TOP, GRATE SUPPORT COLLAR WITH DOUBLE DRAINAGE FLANGE AND WEEPHOLES, BOTTOM OUTLET, ADJUSTABLE COLLAR, SUPPORT RING, SECONDARY FLASHING CLAMP WITH WEEPHOLES, LARGE SUMP BODY AND SPECIAL-DUTY LOOSE-SET ANTI-TILTING GRATE.

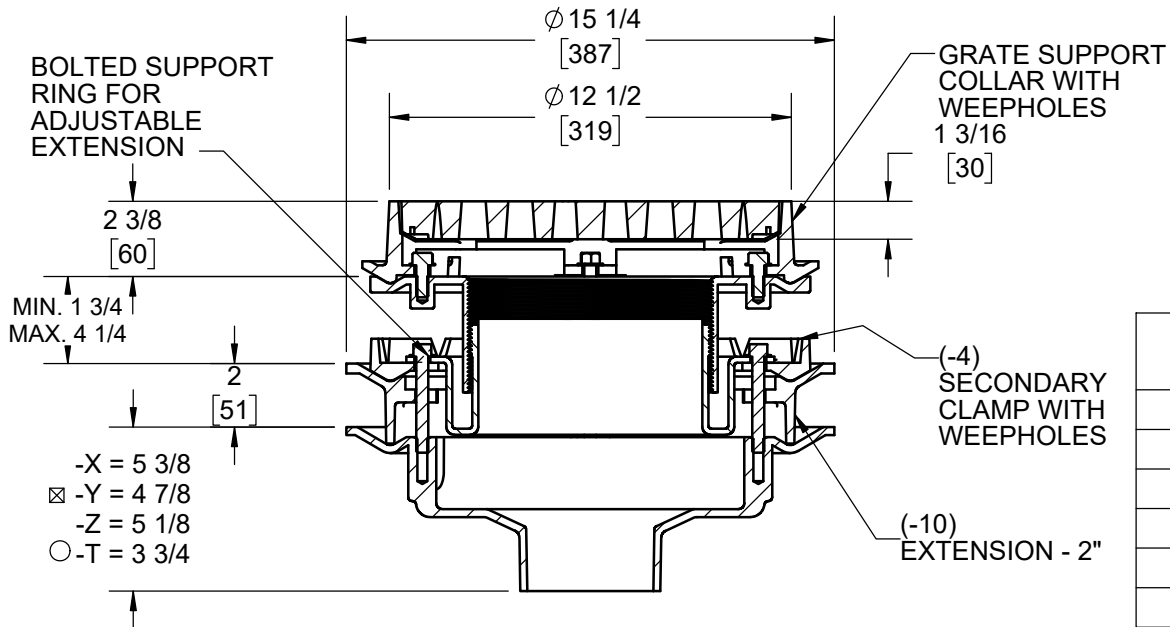
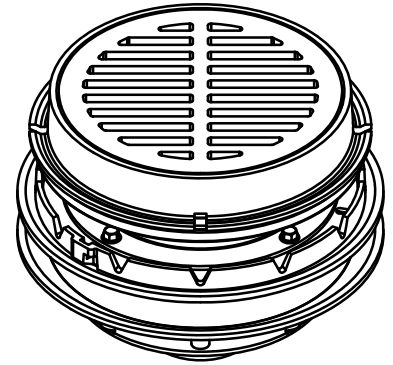
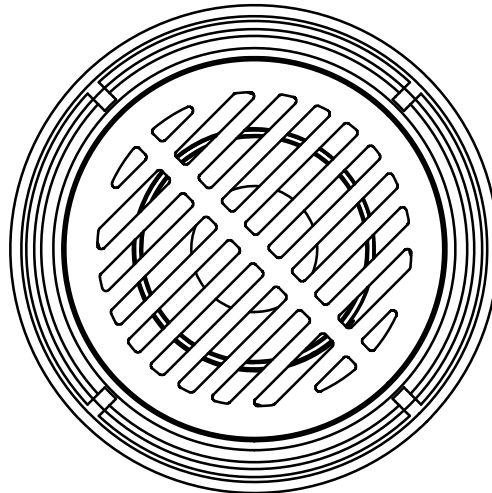
FLOOR DRAIN
12" ROUND TOP, ADJUSTABLE,
SECONDARY CLAMP

SERIES **32200-AE-10-SD**

SLOT WIDTH: 1/2"
 FREE AREA: 34.3 IN²

(-1 & -2 SLOT WIDTH: 1/4")

- ADD 1/4" WHEN FURNISHED WITH NIKALOY OR BRONZE TOP
- GASKET ON -Y OUTLET CONFORMS WITH ASTM-C564
- FOR 8" -T OUTLET, DIM. IS 5-3/4"



| PIPE SIZE |
|-----------|
| 2" |
| 3" |
| 4" |
| 5" |
| 6" |
| 8" |

| | | |
|-------------------------------------|-------|---------------------------------|
| <input checked="" type="checkbox"/> | -AE | LEVELZEZE® ADJUSTABLE EXTENSION |
| | -81 | SLOTTED CAST IRON BUCKET |
| <input checked="" type="checkbox"/> | -SD | SPECIAL-DUTY GRATE |
| | -1 | SATIN NIKALOY TOP |
| | -2 | SATIN BRONZE TOP |
| | -4 | SECONDARY FLASHING CLAMP |
| | -7 | DUCTILE IRON GRATE |
| | -13 | DOME GRATE, CAST IRON |
| | -13-1 | DOME GRATE, NIKALOY |
| | -13-2 | DOME GRATE, BRONZE |
| | -15 | CHAINED GRATE |
| | -ARE | ACID-RESISTING EPOXY |
| | -VP | SECURED GRATE |

| | | |
|--|--------|--|
| | -44 | FIXED EXT, CI (2" STD. OR SPEC. HT.) |
| | -44-92 | FIXED EXT, GALV (2" STD. OR SPEC. HT.) |
| | -49 | 3/4" PRIMER TAP |
| | -50 | 1/2" PRIMER TAP |
| | -66 | NO-HUB SIDE OUTLET (2" - 6") |
| | -84 | SS MESH BUCKET LINER (WITH -81) |
| | -88 | SUPPLEMENTARY STRAINER |
| | -92 | GALVANIZED CAST IRON PARTS |
| | -T | THREADED OUTLET |
| | -X | INSIDE CAULK OUTLET |
| | -Y | HUB OUTLET W/ GASKET (2" - 4") |
| | -Z | NO-HUB OUTLET |

DATE OF LAST CHANGE: 07/24/18

DIMENSIONS ARE SUBJECT TO MANUFACTURERS TOLERANCES AND CHANGE WITHOUT NOTICE. WE CAN ASSUME NO RESPONSIBILITY FOR USE OF SUPERSEDED OR VOID DATA.

JOSAM

MICHIGAN CITY, INDIANA

NOTES

WARNING: Cancer and Reproductive Harm - www.P65Warnings.ca.gov