

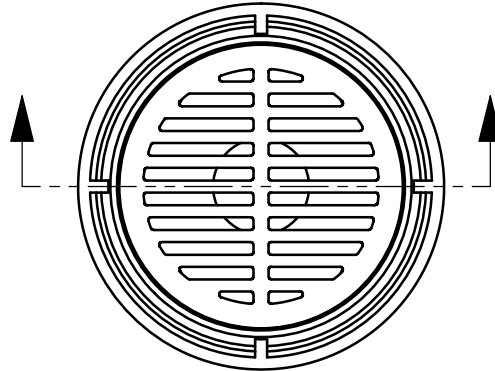
SPECIFICATION:

JOSAM 32300-SD SERIES COATED CAST IRON FLOOR DRAIN, MEDIUM-DEEP TWO-PIECE BODY WITH DOUBLE DRAINAGE FLANGE, WEJLOC® NON-PUNCTURING CLAMP COLLAR, WEEPHOLES, BOTTOM OUTLET, ROUND-TOP, SPECIAL-DUTY LOOSE-SET ANTI-TILTING GRATE.

FLOOR DRAIN
12" ROUND SUPER-FLO® TOP,
MEDIUM SUMP

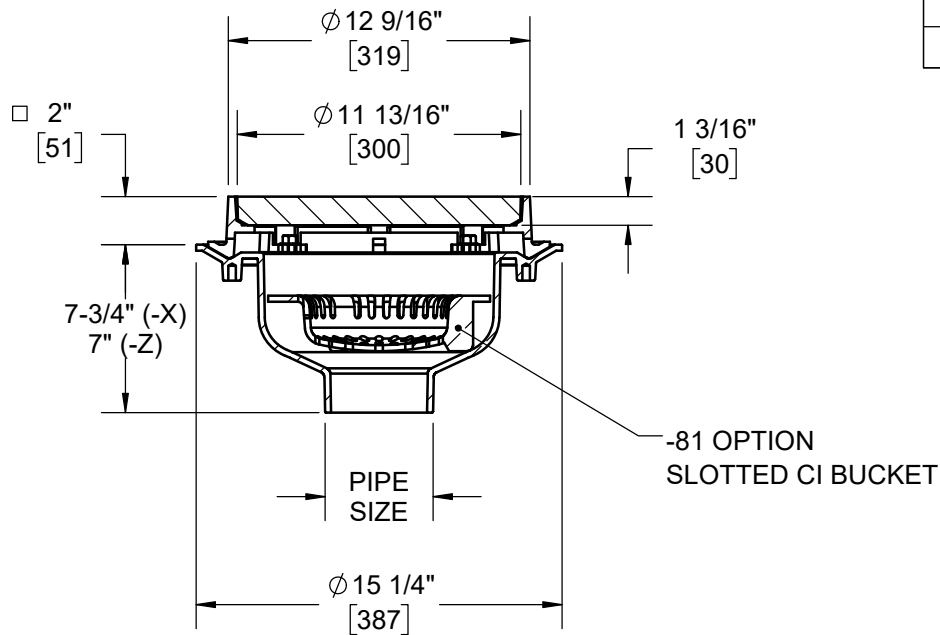
SERIES **32300-SD**

GRATE FREE AREA: 36 IN²
 STD. CAST IRON SLOT WIDTH 9/16"
 -1 AND -2 SLOT WIDTH 7/16" (ADA)



□ ADD 1/4" WHEN FURNISHED WITH NIKALOY OR BRONZE TOP

	PIPE SIZE
	2"
	3"
	4"
	5"
	6"
	8"



-1	SATIN FINISH NIKALOY TOP
-2	SATIN FINISH BRONZE TOP
-7	DUCTILE IRON GRATE
-15	CHAINED GRATE
-44	FIXED EXTENSION, CAST IRON (2" STD. OR SPEC. HEIGHT)
-44-92	FIXED EXTENSION, GALVANIZED (2" STD. OR SPEC. HEIGHT)
-49	3/4" PRIMER TAP
-TSI	TRAP SEAL INSERT (2"-4")

-50	1/2" PRIMER TAP
-66	NO-HUB SIDE OUTLET (2"-6")
-81	SLOTTED CAST IRON BUCKET
-84	SS MESH BUCKET LINER (MUST SPECIFY -81 BUCKET)
-88	SUPPLEMENTARY STRAINER
-92	GALVANIZED CAST IRON PARTS
-ARE	ACID-RESISTING EPOXY
-VP	SECURED GRATE, VANDAL-PROOF SCREWS
-X	INSIDE CAULK OUTLET
-Z	NO-HUB OUTLET

WARNING: Cancer and Reproductive Harm - www.P65Warnings.ca.gov

DATE OF LAST CHANGE: 03/11/20

DIMENSIONS ARE SUBJECT TO MANUFACTURERS TOLERANCES AND CHANGE WITHOUT NOTICE. WE CAN ASSUME NO RESPONSIBILITY FOR USE OF SUPERSEDED OR VOID DATA.

JOSAM
 MICHIGAN CITY, INDIANA

NOTES