

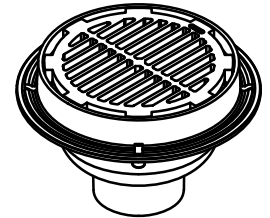
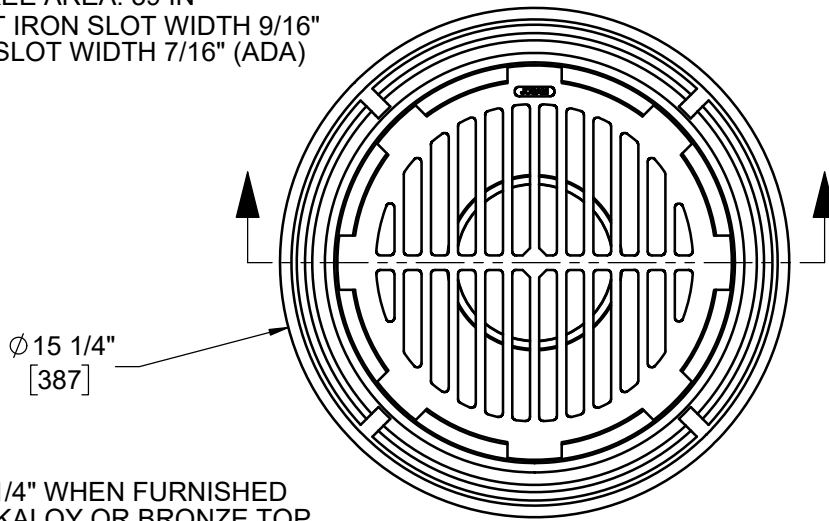
**SPECIFICATION:**

JOSAM 32300 SERIES COATED CAST IRON FLOOR DRAIN, MEDIUM-DEEP TWO-PIECE BODY WITH DOUBLE DRAINAGE FLANGE, WEJLOC® NON-PUNCTURING CLAMP COLLAR, WEEPHOLES, BOTTOM OUTLET, ROUND-TOP, MEDIUM-DUTY LOOSE-SET ANTI-TILTING SUPER-FLO® GRATE WITH PERIMETER DRAINAGE SLOTS.

**FLOOR DRAIN**  
**12" ROUND SUPER-FLO® TOP,**  
**MEDIUM SUMP**

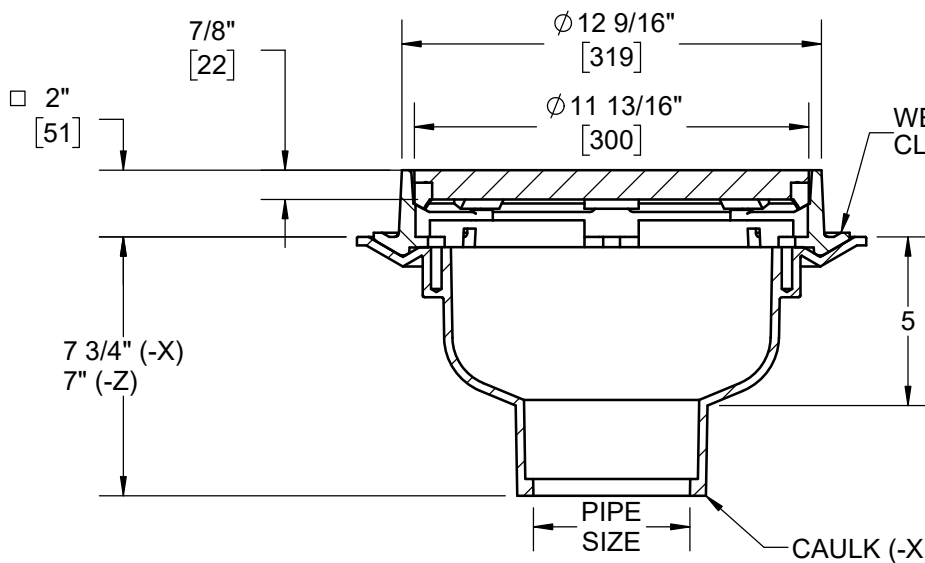
SERIES **32300**

GRATE FREE AREA: 59 IN<sup>2</sup>  
 STD. CAST IRON SLOT WIDTH 9/16"  
 -1 AND -2 SLOT WIDTH 7/16" (ADA)

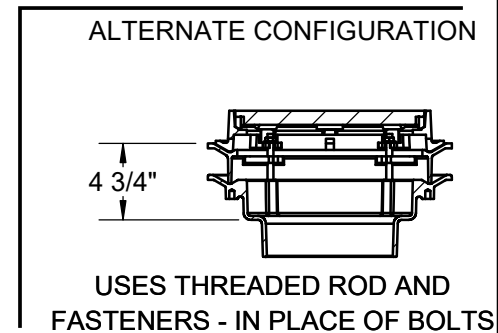


PIPE SIZE
2"
3"
4"
5"
6"
8"

□ ADD 1/4" WHEN FURNISHED WITH NIKALOY OR BRONZE TOP



WEJLOC® FLASHING CLAMP COLLAR



-1	SATIN FINISH NIKALOY TOP
-2	SATIN FINISH BRONZE TOP
-7	DUCTILE IRON GRATE
-13	DOME GRATE, CAST IRON
-13-1	DOME GRATE, NIKALOY
-13-2	DOME GRATE, BRONZE
-15	CHAINED GRATE
-44	FIXED EXTENSION, CAST IRON (2" STD. OR SPEC. HEIGHT)
-44-92	FIXED EXTENSION, GALVANIZED (2" STD. OR SPEC. HEIGHT)
-49	3/4" PRIMER TAP
-TSI	TRAP SEAL INSERT (2"-4")

-50	1/2" PRIMER TAP
-66	NO-HUB SIDE OUTLET (2"-6")
-81	SLOTTED CAST IRON BUCKET
-84	SS MESH BUCKET LINER (MUST SPECIFY -81 BUCKET)
-88	SUPPLEMENTARY STRAINER
-92	GALVANIZED CAST IRON PARTS
-ARE	ACID-RESISTING EPOXY
-HP	HEEL-PROOF GRATE, CI, 5/16" SLOT WIDTH, 25 SQ. IN FREE AREA
-SD	SPECIAL-DUTY GRATE
-VP	SECURED GRATE, VANDAL-PROOF SCREWS
-X	INSIDE CAULK OUTLET
-Z	NO-HUB OUTLET

Δ SEPARATE SUBMITTAL FOR THIS OPTION AVAILABLE

WARNING: Cancer and Reproductive Harm - www.P65Warnings.ca.gov

DATE OF LAST CHANGE: 03/15/19

DIMENSIONS ARE SUBJECT TO MANUFACTURERS TOLERANCES AND CHANGE WITHOUT NOTICE. WE CAN ASSUME NO RESPONSIBILITY FOR USE OF SUPERSEDED OR VOID DATA.



MICHIGAN CITY, INDIANA

NOTES