

SPECIFICATION:

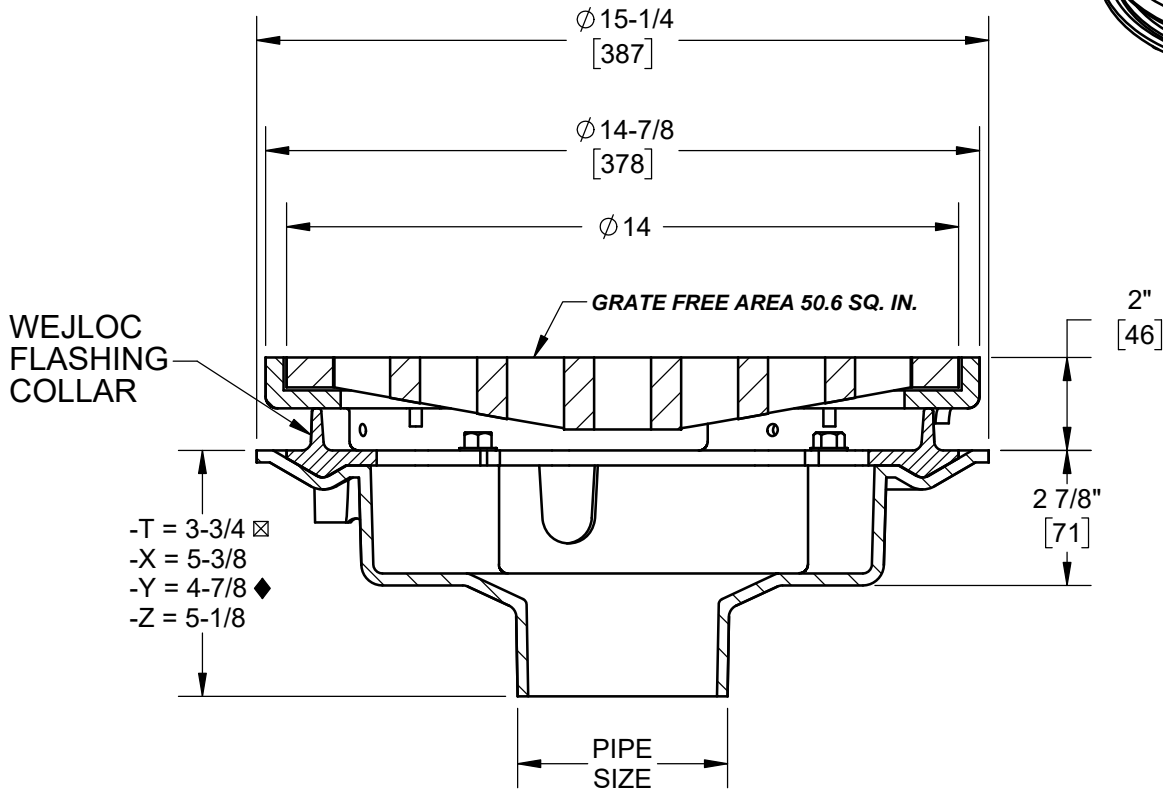
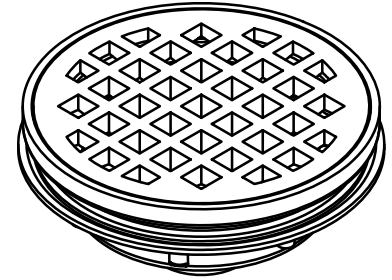
JOSAM 34710 SERIES COATED CAST IRON FLOOR DRAIN WITH TWO PIECE BODY, WEJLOC NON-PUNCTURING FLASHING CLAMP COLLAR WITH DOUBLE DRAINAGE FLANGE, WEEPHOLES, BOTTOM OUTLET, ROUND TOP AND EXTRA HEAVY-DUTY LOOSE-SET GRATE.

**FLOOR DRAIN
EXTRA HEAVY-DUTY TOP**

SERIES **34710**

SLOTS 1-3/16" SQ.

FORMERLY 36410 SERIES



\boxtimes THIS DIMENSION IS 5-3/4 ON 8" THREADED OUTLET

\blacklozenge GASKET CONFORMS WITH ASTM-C564

4"	PIPE SIZE	-19	CAST IRON UNDERGRATE LAMINATED TOP, NIKALOY
5"	PIPE SIZE	-20	CAST IRON UNDERGRATE LAMINATED TOP, BRONZE
6"	PIPE SIZE	-49	3/4" PRIMER TAP
8"	PIPE SIZE	-50	1/2" PRIMER TAP
		-88	SUPPLEMENTARY STRAINER
-AE	LEVELEZE ADJUSTABLE EXTENSION	-92	GALVANIZED CAST IRON PARTS
-ARE	ACID RESISTING EPOXY		
-VP	SECURED GRATE	-T	THREADED OUTLET
-TSI	TRAP SEAL NSERT (2"-4")	-X	INSIDE CAULK OUTLET
-4	SECONDARY FLASHING CLAMP (USE WITH -AE ONLY)	-Y	HUB OUTLET WITH GASKET (4" SIZE ONLY)
-7	DUCTILE IRON GRATE	-Z	NO-HUB SPIGOT OUTLET
-15	CHAINED GRATE		

DATE OF LAST CHANGE: 03/15/19

DIMENSIONS ARE SUBJECT TO MANUFACTURERS TOLERANCES AND CHANGE WITHOUT NOTICE. WE CAN ASSUME NO RESPONSIBILITY FOR USE OF SUPERSEDED OR VOID DATA.



MICHIGAN CITY, INDIANA

NOTES

WARNING: Cancer and Reproductive Harm - www.P65Warnings.ca.gov