

SPECIFICATION:

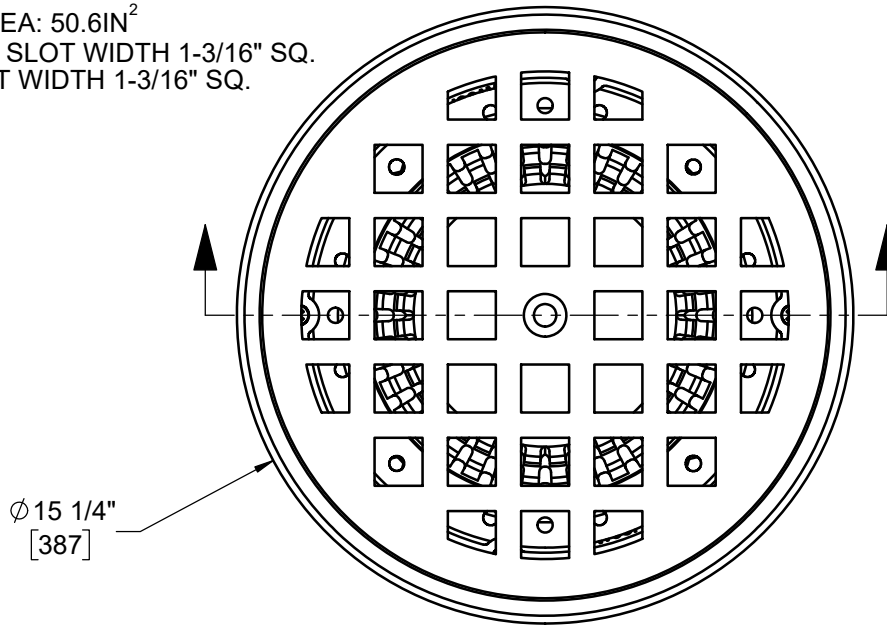
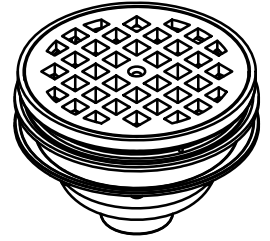
JOSAM 34720 SERIES COATED CAST IRON FLOOR DRAIN WITH TWO-PIECE BODY WITH DOUBLE DRAINAGE FLANGE, WEJLOC® NON-PUNCTURING FLASHING CLAMP COLLAR, WEEPHOLES, BOTTOM OUTLET, ROUND TOP, REMOVABLE SEDIMENT BUCKET AND EXTRA HEAVY-DUTY LOOSE-SET GRATE.

FLOOR DRAIN
15" EXTRA HEAVY-DUTY TOP
WITH BUCKET

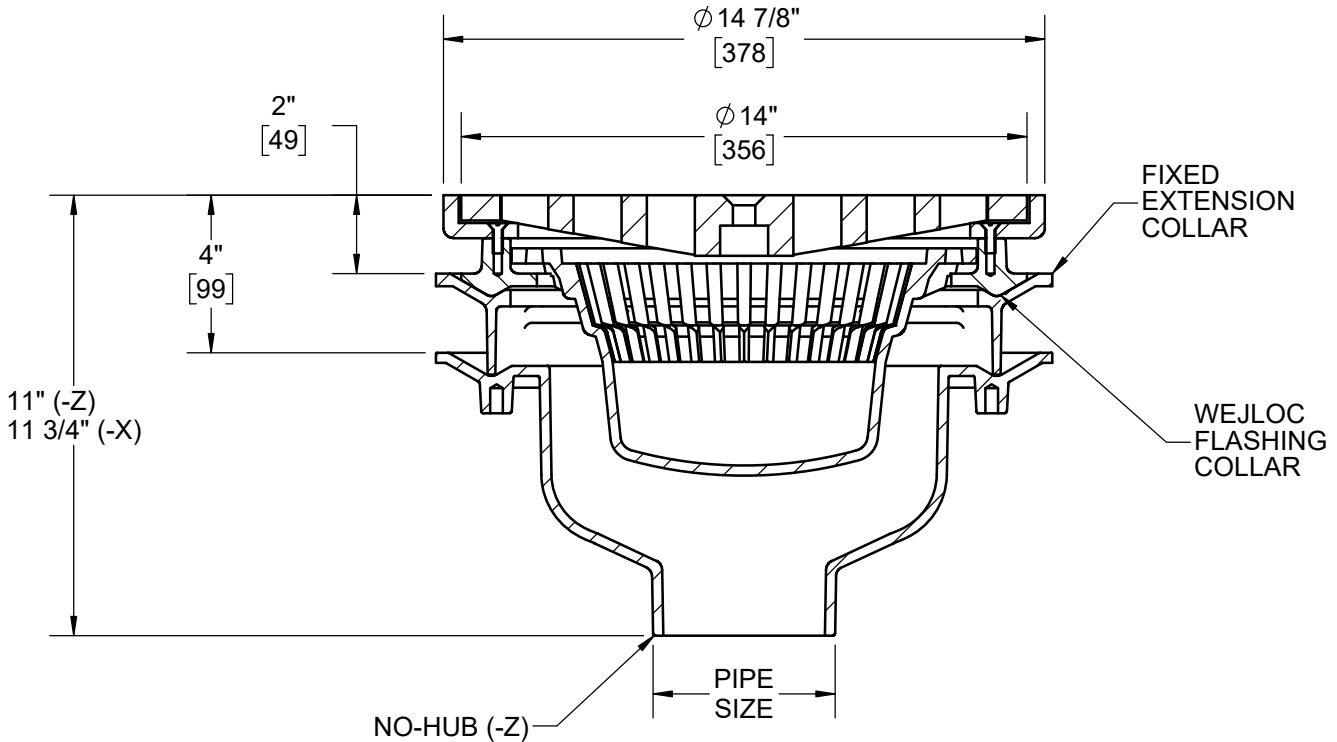
SERIES

34720

GRATE FREE AREA: 50.6IN²
 STD. CAST IRON SLOT WIDTH 1-3/16" SQ.
 -19 AND -20 SLOT WIDTH 1-3/16" SQ.



| PIPE SIZE |
|-----------|
| 3" |
| 4" |
| 5" |
| 6" |



| | |
|-----|---|
| -7 | DUCTILE IRON GRATE |
| -15 | CHAINED GRATE |
| -VP | SECURED GRATE, VANDAL-PROOF SCREWS |
| -19 | CAST IRON UNDERGRATE LAMINATED TOP, NIKALOY |
| -20 | CAST IRON UNDERGRATE LAMINATED TOP, BRONZE |
| -49 | 3/4" PRIMER TAP |
| -50 | 1/2" PRIMER TAP |

| | |
|------|-----------------------------------|
| -66 | NO-HUB SIDE OUTLET |
| -84 | STAINLESS STEEL MESH BUCKET LINER |
| -88 | SUPPLEMENTARY STRAINER |
| -92 | GALVANIZED CAST IRON PARTS |
| -TSI | TRAP SEAL INSERT (2"-4") |
| -X | INSIDE CAULK OUTLET |
| -Z | NO-HUB SPIGOT OUTLET |

DATE OF LAST CHANGE: 03/26/19

DIMENSIONS ARE SUBJECT TO MANUFACTURERS TOLERANCES AND CHANGE WITHOUT NOTICE. WE CAN ASSUME NO RESPONSIBILITY FOR USE OF SUPERSEDED OR VOID DATA.

JOSAM COMPANY
 MICHIGAN CITY, INDIANA

NOTES

WARNING: Cancer and Reproductive Harm - www.P65Warnings.ca.gov