

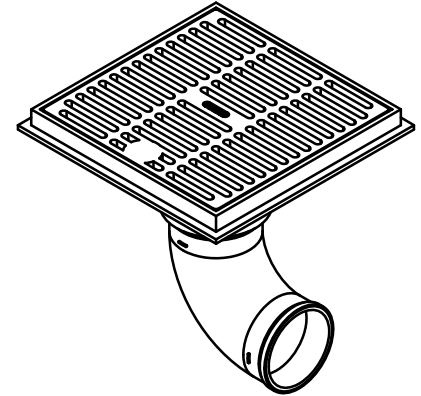
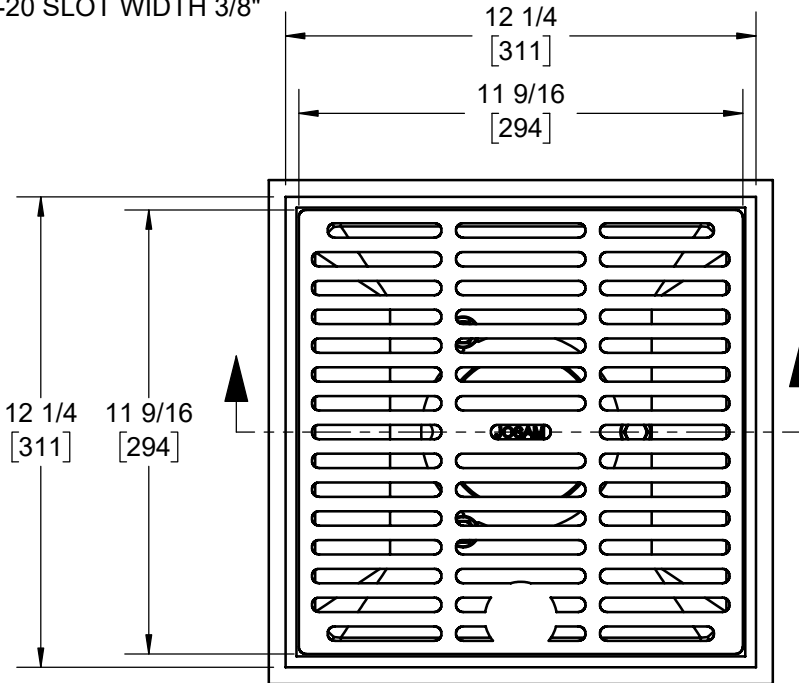
SPECIFICATION:

JOSAM 37800-66 SERIES COATED CAST IRON FLOOR DRAIN WITH FLASHING FLANGE AND 1/2" PRIMER TAP WITH PLUG, SHALLOW BODY, WEJLOC® NON-PUNCTURING FLASHING COLLAR, WEEPHOLES, SIDE OUTLET CONNECTION, SQUARE TOP AND HEAVY-DUTY LOOSE-SET GRATE.

FLOOR DRAIN
12" HEAVY-DUTY TOP,
SHALLOW SUMP

SERIES **37800-66**

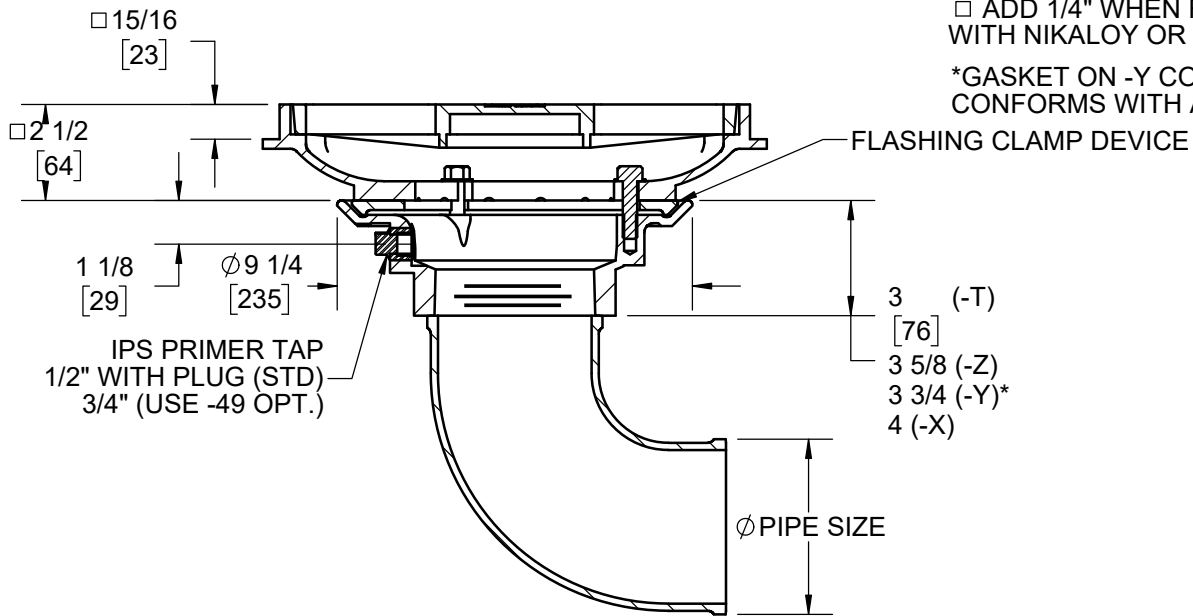
GRATE FREE AREA: 52 IN²
 STD. CAST IRON SLOT WIDTH: 3/8"
 -19 AND -20 SLOT WIDTH 3/8"



	PIPE SIZE
	2"
	3"
	4"

□ ADD 1/4" WHEN FURNISHED WITH NIKALOY OR BRONZE TOP

*GASKET ON -Y CONNECTION CONFORMS WITH ASTM-C564



IPS PRIMER TAP
 1/2" WITH PLUG (STD)
 3/4" (USE -49 OPT.)

FLASHING CLAMP DEVICE

Ø PIPE SIZE

-7	DUCTILE IRON GRATE
-14	HINGED GRATE
-18	HINGED GRATE WITH LATCHING DEVICE
-19	HEAVY-DUTY UNDERGRATE, SATIN FINISH NIKALOY TOP
-20	HEAVY-DUTY UNDERGRATE, SATIN FINISH BRONZE TOP
-49	3/4" PRIMER TAP
-VP	SECURED GRATE, VANDAL-PROOF SCREWS

X	-66	NO-HUB SIDE OUTLET
	-92	GALVANIZED CAST IRON PARTS
	-T	THREADED OUTLET
	-X	INSIDE CAULK OUTLET
	-Y	HUB-OUTLET WITH GASKET
	-Z	NO-HUB SPIGOT OUTLET

WARNING: Cancer and Reproductive Harm - www.P65Warnings.ca.gov

DATE OF LAST CHANGE: 07/23/18

DIMENSIONS ARE SUBJECT TO MANUFACTURERS TOLERANCES AND CHANGE WITHOUT NOTICE. WE CAN ASSUME NO RESPONSIBILITY FOR USE OF SUPERSEDED OR VOID DATA.

JOSAM

MICHIGAN CITY, INDIANA

NOTES