

**SPECIFICATION:**

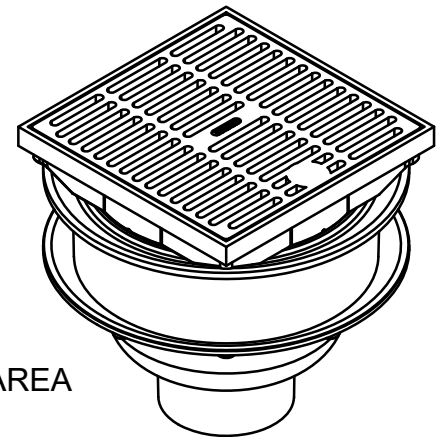
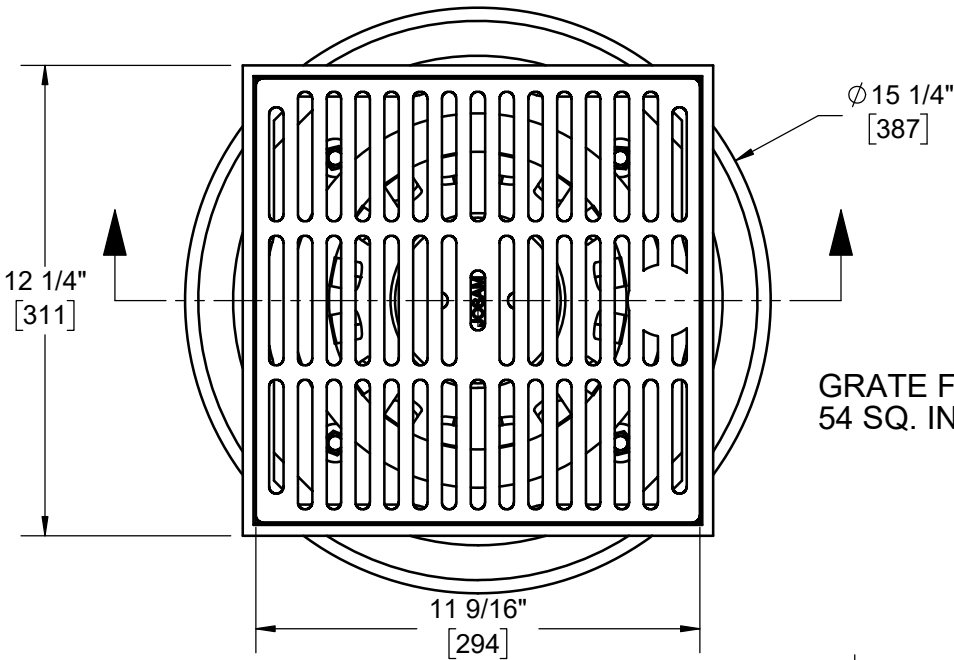
JOSAM 37840 SERIES COATED CAST IRON FLOOR DRAIN DOUBLE DRAINAGE FLANGE, SEEPAGE SLOTS, BOTTOM OUTLET, SQUARE TOP AND HEAVY-DUTY SECURED GRATE AND REMOVABLE SEDIMENT BUCKET. TOP FRAME SERVES AS CLAMP RING.

**FLOOR DRAIN**  
12" TOP WITH BUCKET

SERIES **37840**

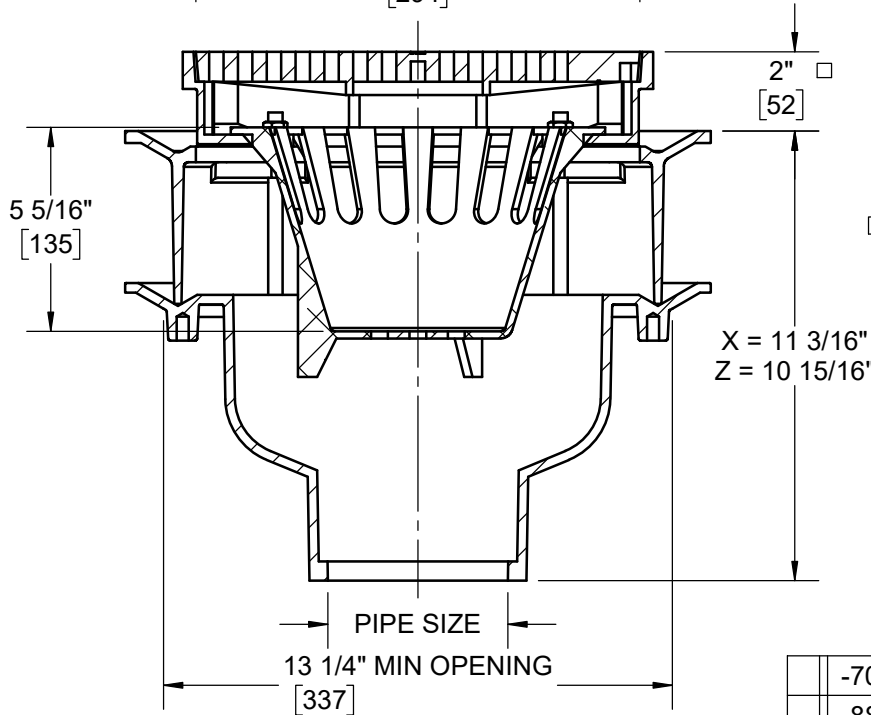
FORMERLY 35330 SERIES

SLOT WIDTH 3/8" (-19 & -20 SLOT WIDTH 3/8") (ADA)



GRATE FREE AREA  
54 SQ. IN.

PIPE SIZE	
	2"
	3"
	4"
	5"
	6"
	8"



ADD 1/4" WHEN FURNISHED WITH NIKALOY OR BRONZE TOP

-7	DUCTILE IRON GRATE	-70	LESS BUCKET
-14	HINGED GRATE	-88	SUPPLEMENTARY STRAINER
-19	HVY-DUTY DUCTILE UNDERGRATE, SATIN FINISH NIKALOY TOP	-84	STAINLESS STEEL MESH BUCKET LINER
-20	HVY-DUTY DUCTILE UNDERGRATE, SATIN FINISH BRONZE TOP	-92	GALVANIZED CAST IRON PARTS
-49	3/4" PRIMER TAP	-VP	SECURED GRATE, VANDAL-PROOF SCREWS
-50	1/2" PRIMER TAP	-TSI	TRAP SEAL INSERT (2"-4")
-66	NO-HUB SIDE OUTLET (2"-6" SIZES ONLY)	-X	INSIDE CAULK OUTLET
		-Z	NO-HUB SIDE OUTLET
		-Q1	SOLID COVER

DATE OF LAST CHANGE: 03/13/19

DIMENSIONS ARE SUBJECT TO MANUFACTURERS TOLERANCES AND CHANGE WITHOUT NOTICE. WE CAN ASSUME NO RESPONSIBILITY FOR USE OF SUPERSEDED OR VOID DATA.

**JOSAM**

MICHIGAN CITY, INDIANA

NOTES