

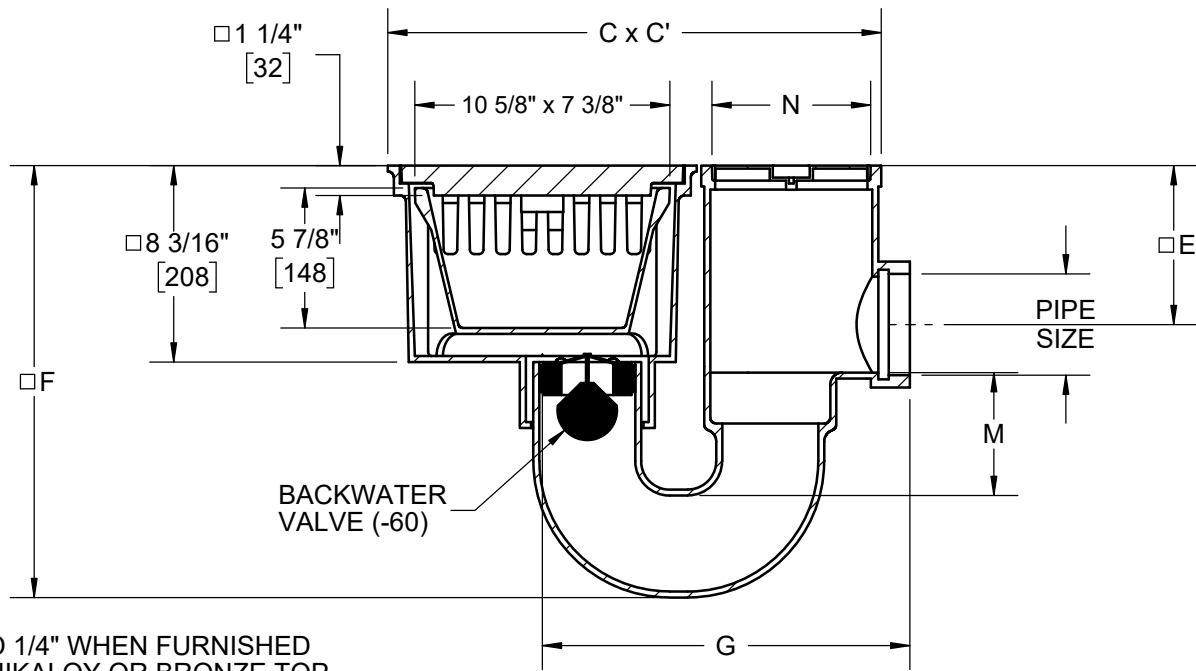
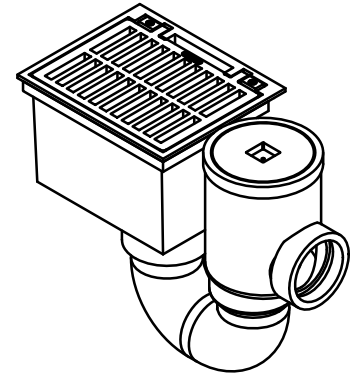
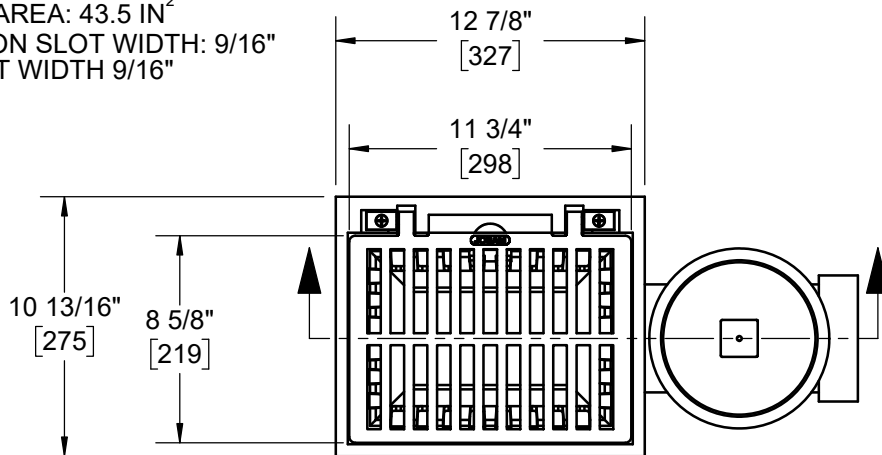
**SPECIFICATION:**

JOSAM 38620-40 SERIES COATED CAST IRON COMBINATION FLOOR DRAIN AND INTEGRAL DEEP SEAL TRAP, SIDE OUTLET THREADED CONNECTION, RECTANGULAR TOP, FLUSH-WITH-FLOOR CLEANOUT, REMOVABLE MEDIUM-DEEP SEDIMENT BUCKET AND HEAVY-DUTY HINGED GRATE.

**FLOOR DRAIN**  
13" x 11" TOP  
WITH HINGED GRATE

SERIES **38620-40**

GRATE FREE AREA: 43.5 IN<sup>2</sup>  
STD. CAST IRON SLOT WIDTH: 9/16"  
-1 AND -2 SLOT WIDTH 9/16"



□ ADD 1/4" WHEN FURNISHED WITH NIKALOY OR BRONZE TOP

	PIPE SIZE	C x C'	E	F	G	M	N
	3"	19-1/2 x 10-7/8	7-1/8	17	14-1/4	5	5
	4"	20-1/2 x 10-7/8	6-5/8	18	15-3/8	5	6

-1	SATIN FINISH NIKALOY TOP
-2	SATIN FINISH BRONZE TOP
-7	DUCTILE IRON GRATE
-33	GALVANIZED BUCKET ONLY
-49	3/4" PRIMER TAP
-50	1/2" PRIMER TAP

-60	BACKWATER VALVE
-70	LESS BUCKET
-84	STAINLESS STEEL MESH BUCKET LINER
-92	GALVANIZED CAST IRON PARTS
-VP	SECURED GRATE, VANDAL-PROOF SCREWS
-TSI	TRAP SEAL INSERT (N/A WITH -60)

WARNING: Cancer and Reproductive Harm - www.P65Warnings.ca.gov

DATE OF LAST CHANGE: 03/13/19

DIMENSIONS ARE SUBJECT TO MANUFACTURERS TOLERANCES AND CHANGE WITHOUT NOTICE. WE CAN ASSUME NO RESPONSIBILITY FOR USE OF SUPERSEDED OR VOID DATA.



MICHIGAN CITY, INDIANA

NOTES