

SPECIFICATION:

JOSAM 38820 SERIES COATED CAST IRON FLOOR DRAIN WITH FLASHING FLANGE, BOTTOM OUTLET, RECTANGULAR TOP, REMOVABLE DEEP SEDIMENT BUCKET AND MEDIUM-DUTY LOOSE-SET TRACTOR GRATE. TOP FRAME SERVES AS CLAMP RING.

FLOOR DRAIN

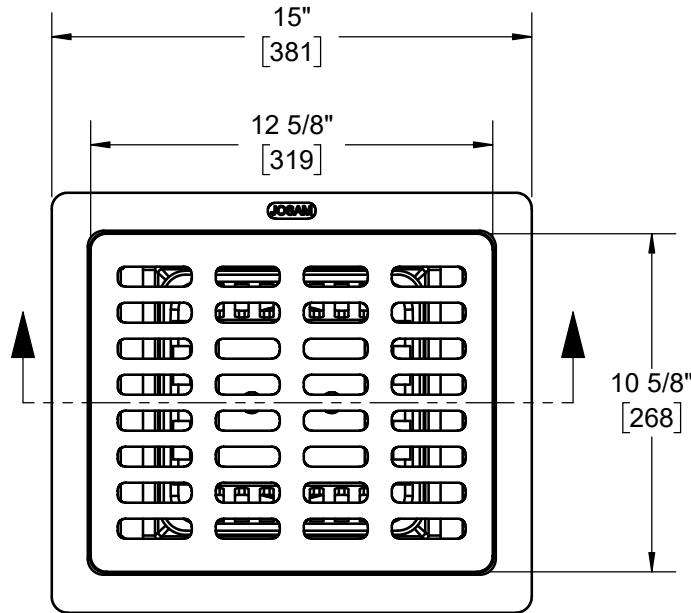
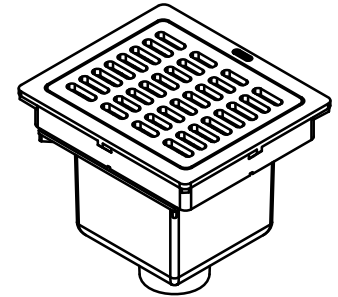
15" x 13" TOP WITH TRACTOR GRATE

SERIES

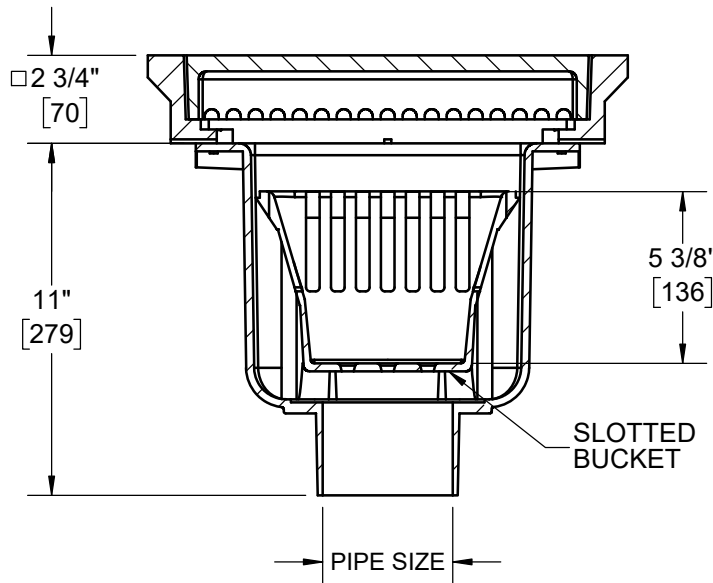
38820

FORMERLY 36820A SERIES

TRACTOR GRATE FREE AREA: 35.2 IN²
 STD. CAST IRON SLOT WIDTH: 5/8"
 -1 AND -2 SLOT WIDTH 5/8"



0"
[0]



	PIPE SIZE	E	F
	3"	10-3/8	12-1/8
	4"	10-1/2	12-3/8

□ ADD 1/4" WHEN FURNISHED WITH NIKALOY OR BRONZE TOP

-1	SATIN FINISH NIKALOY TOP
-2	SATIN FINISH BRONZE TOP
-7	DUCTILE IRON GRATE
-15	CHAINED GRATE
-49	3/4" PRIMER TAP
-50	1/2" PRIMER TAP

-66	NO-HUB SIDE OUTLET
-74	ALUMINUM BUCKET
-84	STAINLESS STEEL MESH BUCKET LINER
-92	GALVANIZED CAST IRON PARTS
-TSI	TRAP SEAL INSERT
-X	INSIDE CAULK OUTLET
-Z	NO-HUB SPIGOT OUTLET

WARNING: Cancer and Reproductive Harm - www.P65Warnings.ca.gov

DATE OF LAST CHANGE: 03/13/19

DIMENSIONS ARE SUBJECT TO MANUFACTURERS TOLERANCES AND CHANGE WITHOUT NOTICE. WE CAN ASSUME NO RESPONSIBILITY FOR USE OF SUPERSEDED OR VOID DATA.

JOSAM

MICHIGAN CITY, INDIANA

NOTES