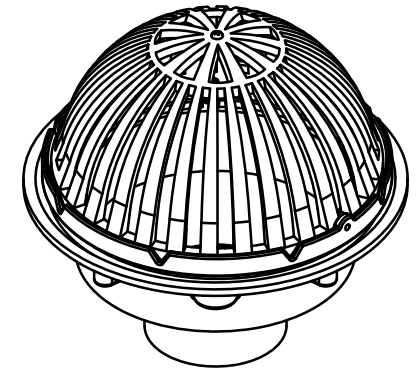
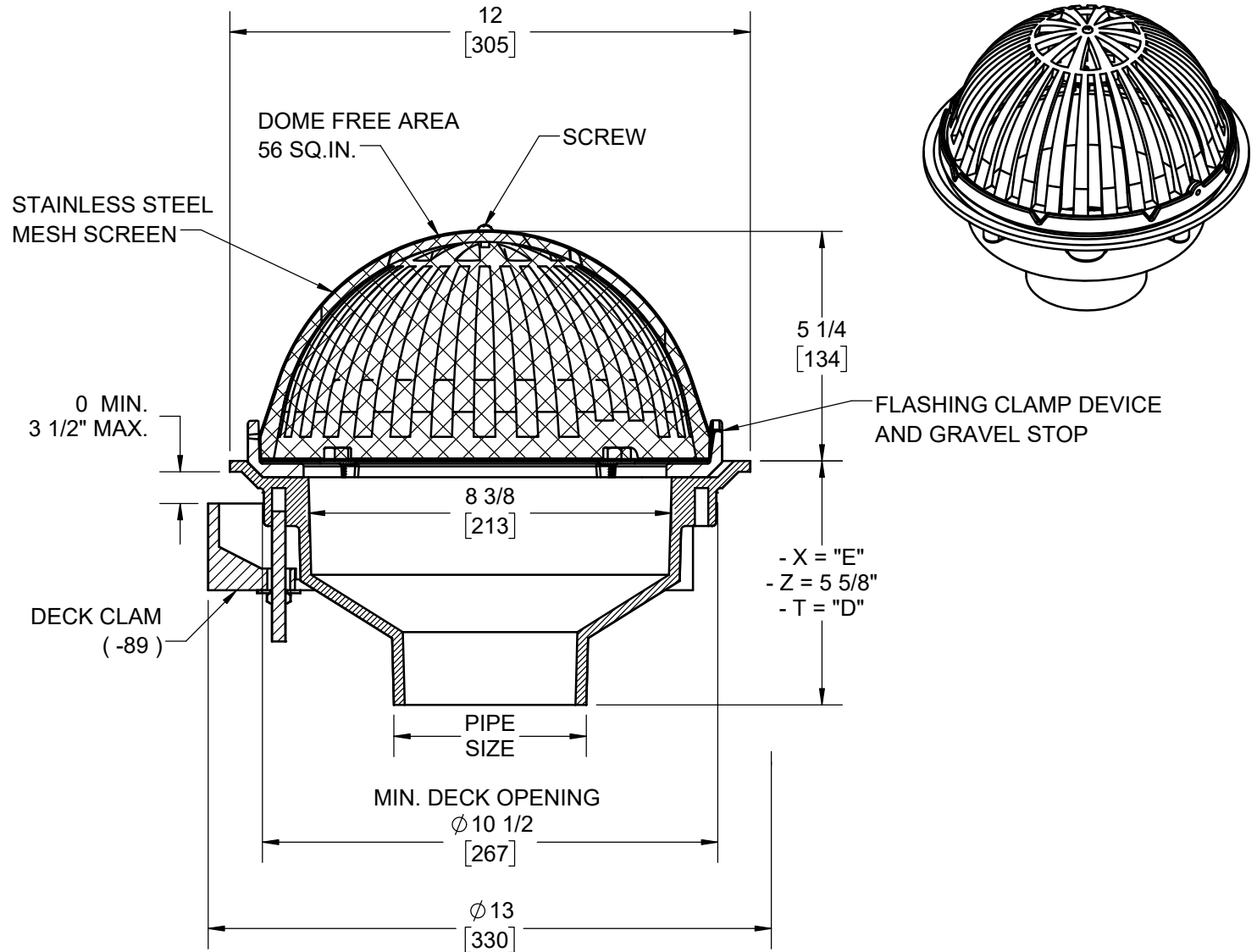


**SPECIFICATION:**

JOSAM 39600 SERIES COATED CAST IRON PLANTING AREA DRAIN WITH FLASHING FLANGE AND CLAMP DEVICE, BOTTOM OUTLET, STAINLESS STEEL MESH SCREEN SECURED TO DOME. DOME SECURED IN PLACE BY BOLTS.

**FLOOR DRAIN  
PLANTING AREA DRAIN**

SERIES **39600**



- X = "E"  
- Z = 5 5/8"  
- T = "D"

2"	PIPE SIZE
3"	PIPE SIZE
4"	PIPE SIZE
5"	PIPE SIZE
6"	PIPE SIZE
-X	INSIDE CAULK OUTLET
-Z	NO-HUB SPIGOT OUTLET
-T	THREADED OUTLET
-TSI	TRAP SEAL INSERT (2"-4")
-66	NO-HUB SIDE OUTLET
-89	DECK CLAMP ASSEMBLY
-92	GALVANIZED CAST IRON PARTS

PIPE SIZE	D	E
2"	4 3/4	6 1/4
3"	4 3/4	6 1/4
4"	4 1/2	6 1/4
5"	4 3/8	6
6"	4	5 3/4

WARNING: Cancer and Reproductive Harm - www.P65Warnings.ca.gov

DATE OF LAST CHANGE: 03/13/19  
DIMENSIONS ARE SUBJECT TO MANUFACTURERS TOLERANCES AND CHANGE WITHOUT NOTICE. WE CAN ASSUME NO RESPONSIBILITY FOR USE OF SUPERSEDED OR VOID DATA.

**JOSAM**  
MICHIGAN CITY, INDIANA

NOTES