

SPECIFICATION:

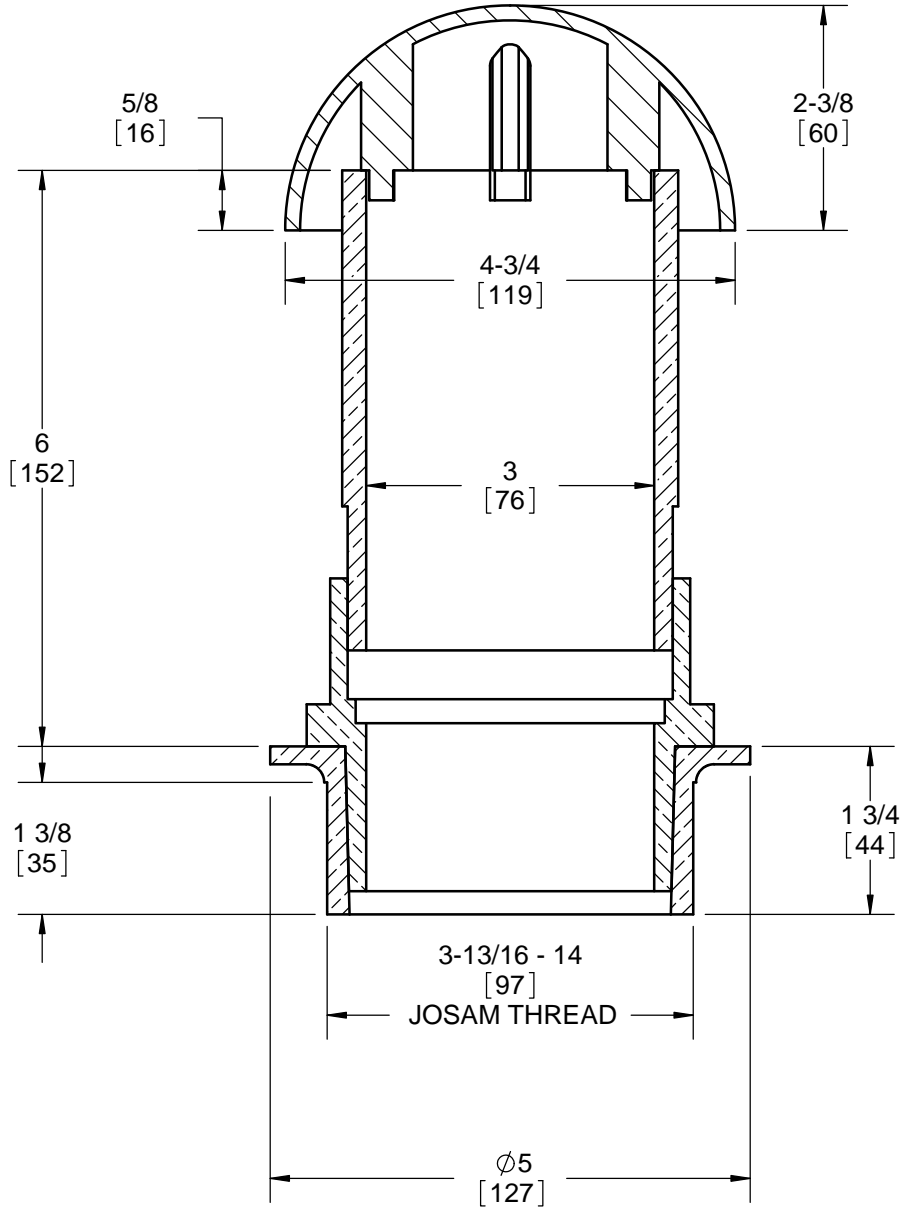
JOSAM SERIES 3M CHROME PLATED 6" HIGH STANDPIPE WITH DOME, THREADED INTO SATIN NIKALOY ADJUSTABLE COLLAR, THREADED WITH JOSAM ADJUSTABLE STRAINER THREAD.

**FLOOR DRAIN
ADJUSTABLE STRAINER**

SERIES

3M

6" HEIGHT STANDARD, FOR
OTHER HEIGHT SPECIFY DIM.
ON ORDER



WARNING: Cancer and Reproductive Harm - www.P65Warnings.ca.gov

-2	BRONZE ADJUSTABLE STRAINER
-24	LESS DOME
-PF	PERFORATED STANDPIPE

DATE OF LAST CHANGE: 07/25/18
DIMENSIONS ARE SUBJECT TO MANUFACTURERS TOLERANCES AND CHANGE WITHOUT NOTICE. WE CAN ASSUME NO RESPONSIBILITY FOR USE OF SUPERSEDED OR VOID DATA.



NOTES