

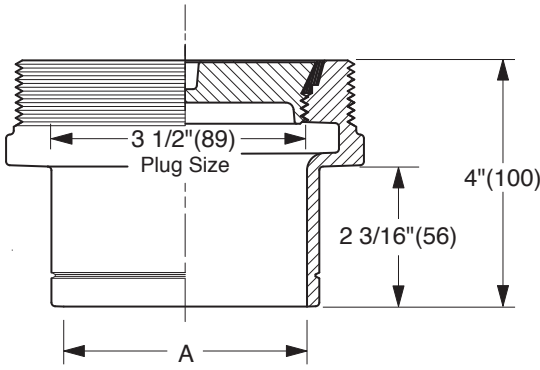
FLOOR CLEANOUTS FOR UNFINISHED FLOORS

CLEANOUT BODIES WITH CLOSURE PLUG

FUNCTION: Used where extension type cleanout is required. Not recommended for installation in floors or areas subjected to traffic unless access cover is provided.

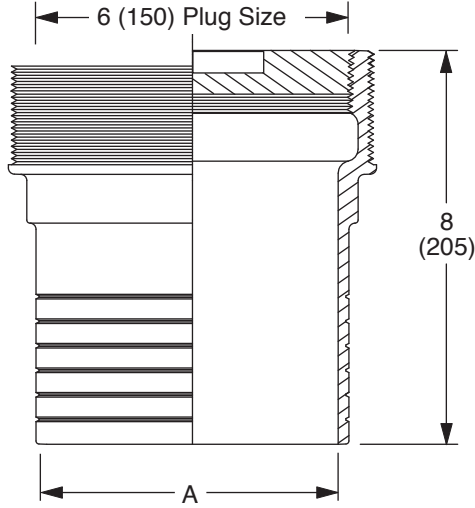
DRAWING NUMBER: S4280
SIZE: A
SCALE: NONE
DATE: 01/31/01
APPROVED BY:
CHECKED BY: BS
DRAWN BY: JJ

WE CAN ASSUME NO RESPONSIBILITY FOR USE OF SUPERSEDED OR VOID DATA
DIMENSIONS ARE SUBJECT TO MANUFACTURERS TOLERANCE AND CHANGE WITHOUT NOTICE



NO-HUB OUTLET

"A" (Pipe Size) = 02(50), 03(75), 04(100) or 05(125)



SPIGOT OUTLET ▲

"A" (Pipe Size) = 06(150) & 08(200)

▲ Sized for Service Weight and/or NO-HUB.

NO-HUB OUTLET

- Fig. 4280S.....Gasket Seal - ABS Plug
- Fig. 4281S.....Gasket Seal - Bronze Plug
- Fig. 4283S.....Taper Thread - Bronze Plug
- Fig. 4284S.....Taper Thread - ABS Plug

SPIGOT OUTLET ▲

- Fig. 4283S.....Taper Thread - Bronze Plug

REGULARLY FURNISHED:
 Duco Cast Iron Cleanout with Closure Plug Type as Indicated by Figure Number Selected.

VARIATIONS:

- Flashing Flange -F
- Flange with Flashing Clamp -F-C

OPTIONAL MATERIALS:

- Galvanized Cast Iron -G

NOTE: Dimensions shown in parentheses are in millimeters.

FIGURE NUMBER	4280 SERIES	C B A	5-5-06 6/24/02 05/07/01	Revised Dwg. Revised Dwg. Edited Outlet Text	RN RN JJ	CL CL CL	WEIGHT POUNDS	VOLUME CUBIC FEET	FIGURE NUMBER 4280 SERIES
REV.	DATE	DESCRIPTION			BY	CKD. BY			