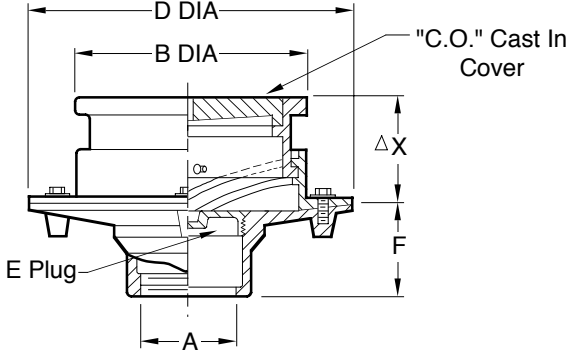
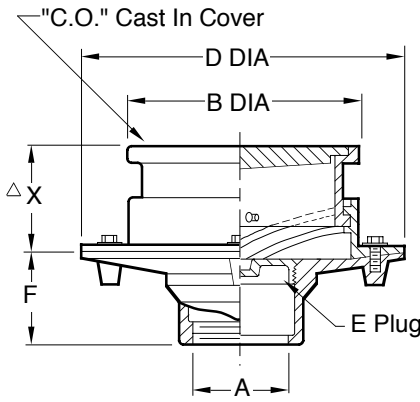


# MULTI-PURPOSE FLOOR CLEANOUTS WITH INTERNAL CLOSURE PLUG

## ROUND ADJUSTABLE CAST IRON TOP

**FUNCTION:** Used in areas where a large access cover is desirable and the appearance of cast iron is satisfactory. Non-Tilt cover Fig. 4318 shown below should be used for heavy load traffic. Allows easy floor level adjustment.



**MEDIUM DUTY COVER**

**HEAVY DUTY COVER**

Fig. 4313C . . . . . TAPER THREAD - BRONZE PLUG . . . . .  Fig. 4318C

A SIZE	B DIA	D DIA	E SIZE	F	ΔMIN - X - MAX	
02 (50)	8 1/2 (215)	12 (305)	3 1/2 (89)	4 (100)	3 1/2 (89)	4 1/2 (115)
03 (80)	8 1/2 (215)	12 (305)	4 (100)	4 (100)	3 1/2 (89)	4 1/2 (115)
04 (100)	8 1/2 (215)	12 (305)	5 (125)	4 (100)	3 1/2 (89)	4 1/2 (115)

Δ add 1/4"(6) when bronze top is specified

**NOTE:** Dimensions shown in parentheses are in millimeters.

Collar can be used as flashing clamp when required

INSIDE CAULK OUTLET REGULAR

**REGULARLY FURNISHED:**

Duco Cast Iron Flanged Body and Round Adjustable Top with Scoriated Loose Set Cast Iron Cover, Taper Thread Bronze Closure Plug and Flashing Collar.

**VARIATIONS:**

- NO-HUB Adaptor (Specify Fig. 2646Y)
- Recessed for Tile -RT
- Secured Cover -SEC
- Square Top -S
- "T" Handle Plug -TH  
Plug tapped 1/4"(6) - 20 Thread
- Vandal Proof Cover -U
- T Threaded Outlet

**OPTIONAL MATERIALS:**

- Ductile Iron Cover -M  
(Fig. 4318 only)
- Galvanized Cast Iron -G
- Nickel Bronze Top -NB
- Polished Bronze Top -PB
- Stainless Steel  
(Specify Fig. 9735)

**4313, 4318**

DIMENSIONS ARE SUBJECT TO MANUFACTURERS TOLERANCE AND CHANGE WITHOUT NOTICE

<b>E</b>	10-7-14	Revised Variations	<b>TBW</b>	<b>BW</b>	WEIGHT	VOLUME	<b>FIGURE NUMBER</b>
<b>D</b>	1-6-96	Added Millimeters	<b>EMB</b>	<b>BS</b>	POUNDS	CUBIC FEET	<b>4313, 4318</b>
<b>C</b>	7-26-94	Revised	<b>EMB</b>	<b>BS</b>			
<b>B</b>	8-5-93	Submittal Update	<b>TWK</b>	<b>BS</b>			
REV.	DATE	DESCRIPTION	BY	CKD. BY			