

G

SMITH® JAY R. SMITH MFG. CO.®
 MEMBER OF MORRIS GROUP INTERNATIONAL
 POST OFFICE BOX 3237
 MONTGOMERY, ALABAMA 36109-0237 (USA)
 TEL: 334-277-8520 FAX: 334-272-7396 www.jrsmith.com



LOCATION

DRAWING NUMBER
S4450

SIZE
A

SCALE:
NONE

DATE:
2-16-70

APPROVED BY:
JM

CHECKED BY:
BH

DRAWN BY:
RK

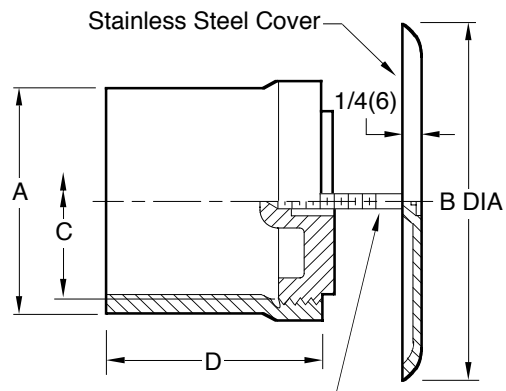
FIGURE NUMBER
4450, 4452

WE CAN ASSUME NO RESPONSIBILITY FOR USE OF SUPERSEDED OR VOID DATA

CAULK FERRULE CLEANOUTS AND COVERS

FULL CALIBRE FERRULE TAPER THREAD PLUG WITH ROUND COVER

FUNCTION: Used in hub openings in drainage piping where a cleanout is required. Plug size equals ferrule size. Face-of-Wall cover is desirable on finished walls.



1/4(6) - 20 x 2 1/2"(64) Long Flat Head Machine Screw

COUNTERSUNK PLUG

- Fig. 4450C LESS COVER AND SCREW
- Fig. 4452C WITH COVER AND SCREW

A SIZE	B DIA	C SIZE	D
02 (50)	4 1/4 (108)	2 1/2 (64)	3 1/2 (89)
03 (80)	5 1/2 (140)	3 (76)	3 3/4 (95)
04 (100)	7 (180)	4 (100)	4 1/4 (110)

Sized for Service Weight and/or NO-HUB

NOTE: Dimensions shown in parentheses are in millimeters.

REGULARLY FURNISHED:

Duco Cast Iron Full Calibre Caulk Ferrule with Cast Bronze Taper Thread Plug, with Stainless Steel Round Cover and Screw as Indicated by Fig. Number Selected.

VARIATIONS:

- Longer Screw 6"(150) Lg. -LS
- "T" Handle Plug -TH
Plug tapped 1/4"(6) - 20 Thread
- Vandal Proof Screw -U

OPTIONAL MATERIALS:

- Cast Bronze Body -BB
- Polished Bronze Cover -PB
- Prime Coated Steel Cover -PC

REV.	DATE	DESCRIPTION	BY	CKD. BY	WEIGHT POUNDS	VOLUME CUBIC FEET	FIGURE NUMBER
	10-7-14	Revised Variations	TBW	BW			4450, 4452
	4-28-09	Revised Size Chart	RN	CL			
	8-11-97	Chg'd Var & Opt Mat	EMB	BS			
	1-11-96	Added Millimeters	EMB	BS			