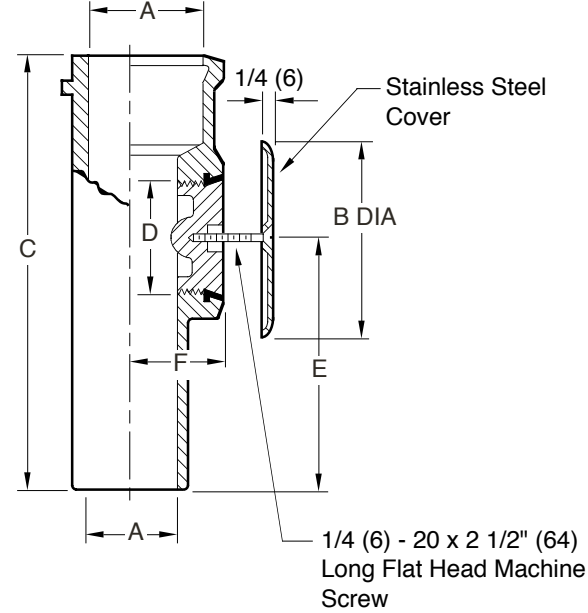
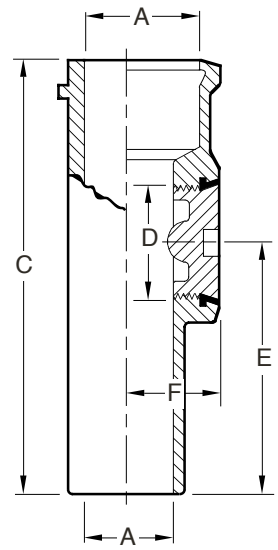


CLEANOUT TEES

WITH COUNTERSUNK PLUG AND ROUND ACCESS COVER

FUNCTION: Used in concealed drainage lines where a cleanout is desired. Removable face-of-wall cover allows easy access to closure plug.



LESS COVER AND SCREW

WITH COVER AND SCREW

- | | |
|---|---|
| <input type="checkbox"/> Fig. 4510S GASKET SEAL - IRON PLUG
<input type="checkbox"/> Fig. 4511S GASKET SEAL - BRONZE PLUG
<input type="checkbox"/> Fig. 4512S TAPER THREAD - BRONZE PLUG..... | <input type="checkbox"/> Fig. 4530S
<input type="checkbox"/> Fig. 4531S
<input type="checkbox"/> Fig. 4532S |
|---|---|

A SIZE	B DIA	C	D SIZE	E	F
02 (50)	4 1/4 (110)	10 1/2 (265)	1 1/2 (38)	6 1/4 (160)	2 (51)
03 (75)	5 1/2 (140)	11 3/4 (300)	2 1/2 (64)	7 (180)	2 1/2 (64)
04 (100)	5 1/2 (140)	12 (305)	3 1/2 (89)	7 (180)	3 (76)
05 (125)	7 (180)	*13 (330)	4 1/2 (115)	8 1/2 (215)	4 (100)
06 (150)	9 1/4 (235)	16 (405)	6 (150)	9 (230)	4 1/2 (115)

* This Dimension becomes 15 (380) for the 4512 and 4532.

Spigot Outlet Sized for Service Weight
and/or NO-HUB for 02(50) - 05(125) Sizes

REGULARLY FURNISHED:
 Duco Cast Iron Cleanout Tee and Countersunk Plug with Stainless Steel Round Cover and Screw as Indicated by Figure Number Selected.

- VARIATIONS:**
- Longer Center Screw (Specify Length)
 - "T" Handle Plug -TH
(Plug Tapped 1/4" (6) -20 Thread)
 - Vandal Proof Screw -U (Fig. 4530 Series)
 - Y NO-HUB Both Ends 2(50), 3(75) & 4"(100) sizes only

- OPTIONAL MATERIALS:**
- Polished Bronze Cover -PB
 - Prime Coated Steel Cover -PC

NOTE: Dimensions shown in parentheses are in millimeters.

DRAWING NUMBER S4510
 SIZE A
 SCALE: NONE
 DATE: 2-16-70
 APPROVED BY: JM
 CHECKED BY: RP
 DRAWN BY: RK
4510, 4530 SERIES
 DIMENSIONS ARE SUBJECT TO MANUFACTURERS TOLERANCE AND CHANGE WITHOUT NOTICE
 WE CAN ASSUME NO RESPONSIBILITY FOR USE OF SUPERSEDED OR VOID DATA

H G T E	10-27-15 10-7-14 11/04/03 3-22-95	Rev. Table, Outlet Size, Var. Revised Variations Revised Variations Added Metric	TBW TBW JJ EMB	BW BW CL BS	WEIGHT POUNDS	VOLUME CUBIC FEET	FIGURE NUMBER 4510 SERIES 4530 SERIES
REV.	DATE	DESCRIPTION	BY	CKD. BY			