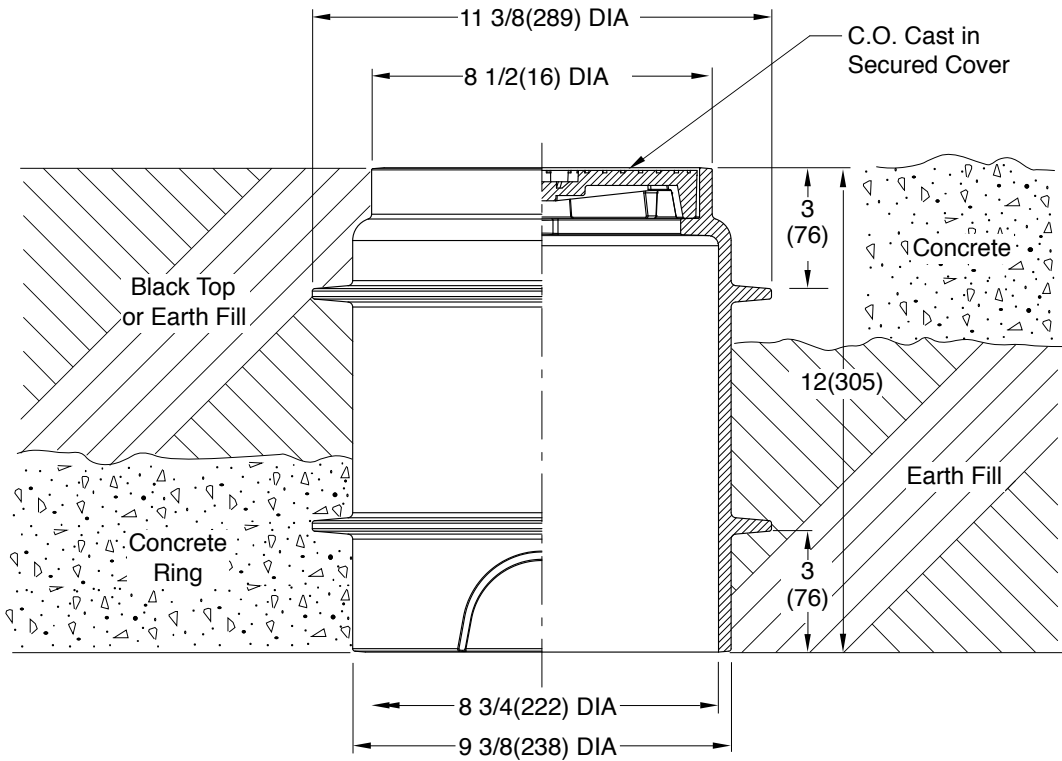


FLOOR ACCESS COVERS

ROUND FLANGED HOUSING WITH HEAVY DUTY CAST IRON COVER

FUNCTION: Used to cover cleanouts, valves, cocks, etc. High anchor flange permits use in areas surfaced with concrete or other poured materials. Low anchor flange is used with a ring of concrete poured below the surface for non-surfaced areas and areas surfaced with asphalt paving. Housing is completely free of piping so that no loading is transmitted to the pipe.



REGULARLY FURNISHED:
 Duco Cast Iron Double Flanged Body with Heavy Duty Secured Scoriated Cast Iron Cover with Lifting Device.

VARIATIONS:

- Vandal Proof Screws -U
- Cover Cast with Words
- "Gas Shut-Off -GSO or
- "Water Shut-Off -WSO

OPTIONAL MATERIALS:

- Galvanized -G
- Ductile Iron Cover -DI
- Nickel Bronze Top -NB
- Polished Bronze Top -PB

NOTE: Dimensions shown in parentheses are in millimeters.

DRAWING NUMBER S4880
 SIZE A
 SCALE: NONE
 DATE: 2-10-86
 APPROVED BY: JD
 CHECKED BY: CR
 DRAWN BY: CM
 FIGURE NUMBER 4880

WE CAN ASSUME NO RESPONSIBILITY FOR USE OF SUPERSEDED OR VOID DATA
 DIMENSIONS ARE SUBJECT TO MANUFACTURERS TOLERANCE AND CHANGE WITHOUT NOTICE

REV.	DATE	DESCRIPTION	BY	CKD. BY	WEIGHT POUNDS	VOLUME CUBIC FEET	FIGURE NUMBER 4880
D	11-10-16	Revised Drawing, New Body Style	TBW	CL			
C	10-10-16	Rev. Optional Materials	TBW	CL			
B	1-23-96	Added Millimeters	EMB	BS			
A	1-11-95	Submittal Update	EMB	BS			