

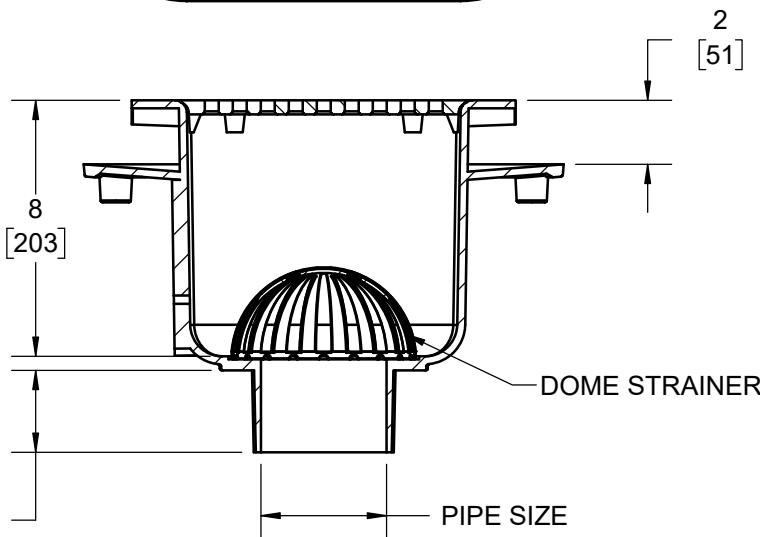
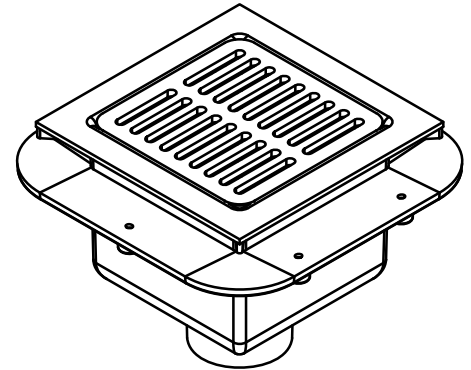
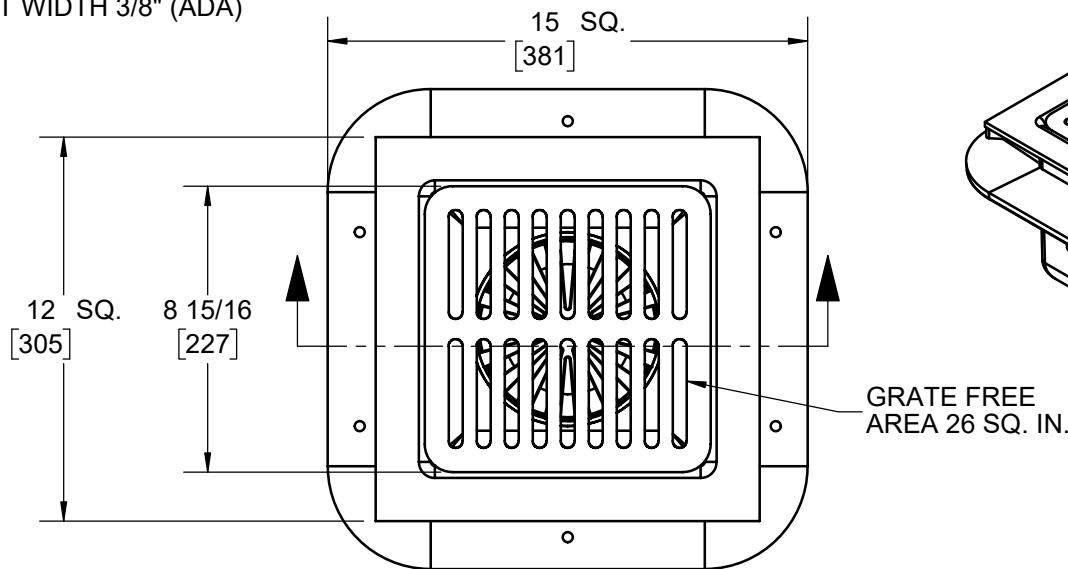
**SPECIFICATION:**

JOSAM 49340A SERIES SQUARE CAST IRON 8" DEEP SUPER-FLO-SEPTOR® FLOOR SINK WITH ACID RESISTING INTERIOR, DOUBLE DRAINAGE FLANGE WITH WEEPHOLES, BOTTOM OUTLET, ALUMINUM INTERNAL DOME STRAINER AND CAST IRON NON-TRAFFIC, ACID RESISTING, ANTI-TILTING GRATE.

**SANITARY FLOOR SINK**  
12" SQUARE TOP, 8" DEEP

SERIES **49340A**

SLOT WIDTH 3/8" (ADA)



X (2" - 3") = 2-1/2  
 X (4") = 2-3/4  
 Y (2" - 4") = 2  
 Z (2" - 4") = 2-1/16

PIPE SIZE	
	2"
	3"
	4"

WARNING: Cancer and Reproductive Harm - www.P65Warnings.ca.gov

Δ	-LF	LESS FLANGE
Δ	-NB	NICKEL BRONZE TRAFFIC TOP
	-LG	LESS GRATE
	-3	HALF (1/2) GRATE
	-4	THREE-QUARTER (3/4) GRATE
	-5	NIK. EXTRA HVY-DUTY GRATE & RIM (NOT SUPER-FLO)
	-7	FULL GRATE WITH 2-1/2" CENTER OPENING
	-8	STAINLESS STEEL DEPRESSED GRATE
	-15	STAINLESS STEEL RIM & GRATE
	-16	GRATE WITH 4" ROUND FUNNEL
	-17	GRATE WITH 6" ROUND FUNNEL
	-18	GRATE WITH 9" x 3-1/2" OVAL FUNNEL

	-31	SEDIMENT BUCKET, ALUMINUM
	-33	SEDIMENT BUCKET, ACID RESISTANT FINISH
*	-35	BUCKET LINER (STAINLESS STEEL MESH)
	-43	INTERNAL DOME STRAINER, ACID RESISTANT FINISH
	-45	LESS INTERNAL DOME STRAINER
	-55	1/2" PRIMER ADAPTER, 88450 PROVIDED
	-C	CLAMP DEVICE
	-TSI	TRAP SEAL INSERT
	-X	INSIDE CAULK OUTLET
	-Y	HUB OUTLET WITH GASKET
	-Z	NO-HUB OUTLET

Δ SEPARATE SUBMITTAL FOR THIS OPTION AVAILABLE

\*MUST ALSO SPECIFY -31 OR -33 OPTION

DATE OF LAST CHANGE: 03/14/19

DIMENSIONS ARE SUBJECT TO MANUFACTURERS TOLERANCES AND CHANGE WITHOUT NOTICE. WE CAN ASSUME NO RESPONSIBILITY FOR USE OF SUPERSEDED OR VOID DATA.

**JOSAM**  
MICHIGAN CITY, INDIANA

NOTES