

**SPECIFICATION:**

JOSAM 49360A-NB SERIES SQUARE CAST IRON 10-1/4" DEEP SUPER-FLO-SEPTOR® FLOOR SINK WITH ACID RESISTING INTERIOR, DOUBLE DRAINAGE FLANGE WITH WEEPHOLES, BOTTOM OUTLET, ALUMINUM INTERNAL DOME STRAINER, NIKALOY SANITARY SLOPED RIM AND NIKALOY LIGHT-DUTY SUPER FLO® ANTI-TILTING GRATE.

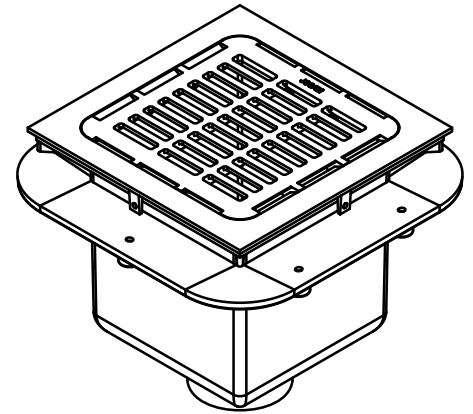
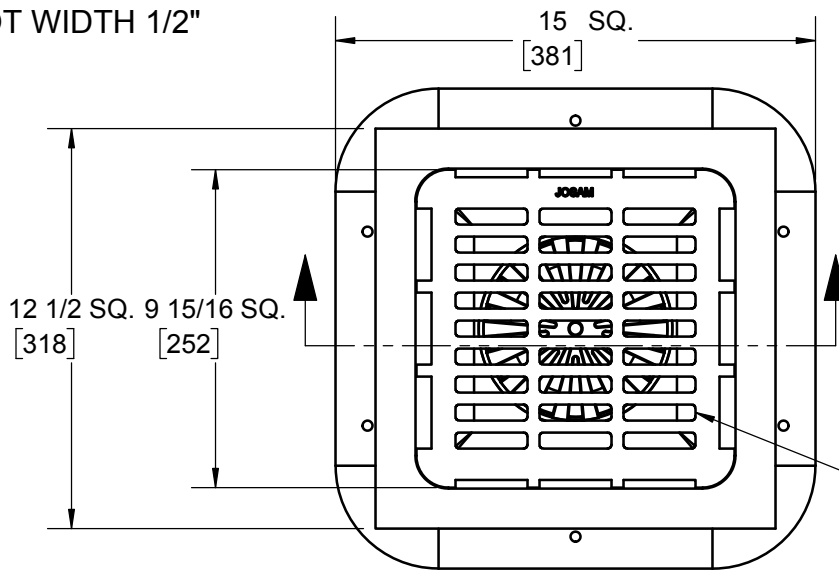
**SANITARY FLOOR SINK**

12" SQUARE TOP, 10" DEEP

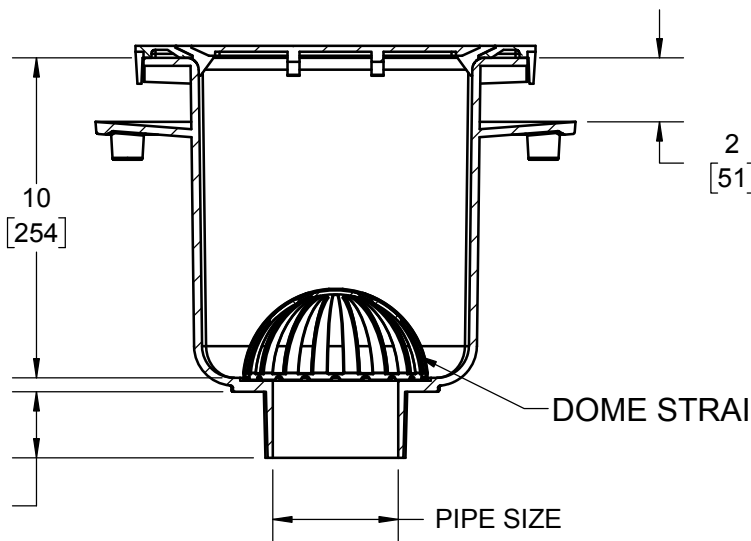
SERIES **49360A-NB**

FORMERLY 49060AS SERIES

SLOT WIDTH 1/2"



GRATE FREE AREA 35 SQ. IN.



- X (2" - 3") = 2-1/2
- X (4") = 2-3/4
- Y (2" - 4") = 2
- Z (2" - 4") = 2-1/16

PIPE SIZE	
	2"
	3"
	4"

Δ	-LF	LESS FLANGE
X	-NB	NICKEL BRONZE TRAFFIC TOP
	-LG	LESS GRATE
	-3	HALF (1/2) GRATE
	-4	THREE-QUARTER (3/4) GRATE
	-5	NIK. EXTRA HVY-DUTY GRATE & RIM (NOT SUPER-FLO)
	-7	FULL GRATE WITH 2-1/2" CENTER OPENING
	-8	STAINLESS STEEL DEPRESSED GRATE
	-VP	SECURED GRATE, VANDAL-PROOF SCREWS
	-15	STAINLESS STEEL RIM & GRATE
	-16	GRATE WITH 4" ROUND FUNNEL
	-17	GRATE WITH 6" ROUND FUNNEL
	-18	GRATE WITH 9" x 3-1/2" OVAL FUNNEL

	-20	SOLID NIKALOY COVER
	-24	CHAINED GRATE
	-31	SEDIMENT BUCKET, ALUMINUM
	-32	SHALLOW SEDIMENT BUCKET, ALUMINUM
	-33	SEDIMENT BUCKET, ACID RESISTANT FINISH
*	-35	BUCKET LINER (STAINLESS STEEL MESH)
	-43	INTERNAL DOME STRAINER, ACID RESISTANT FINISH
	-45	LESS INTERNAL DONE STRAINER
	-55	1/2" PRIMER ADAPTER, 88450 PROVIDED
	-C	CLAMP DEVICE
	-X	INSIDE CAULK OUTLET
	-Y	HUB OUTLET WITH GASKET
	-Z	NO HUB OUTLET

Δ SEPARATE SUBMITTAL FOR THIS OPTION AVAILABLE

\*MUST ALSO SPECIFY -31, -32 OR -33 OPTION

DATE OF LAST CHANGE: 7/05/18

DIMENSIONS ARE SUBJECT TO MANUFACTURERS TOLERANCES AND CHANGE WITHOUT NOTICE. WE CAN ASSUME NO RESPONSIBILITY FOR USE OF SUPERSEDED OR VOID DATA.



NOTES