

SPECIFICATION:

JOSAM 49520A-NB SERIES ROUND CAST IRON 6-1/4" DEEP SUPER-FLO-SEPTOR® FLOOR SINK WITH ACID RESISTING INTERIOR, DOUBLE DRAINAGE FLANGE WITH WEEPHOLES, BOTTOM OUTLET, ALUMINUM INTERNAL DOME STRAINER, NIKALOY SANITARY SLOPED RIM AND NIKALOY LIGHT-DUTY SUPER-FLO® ANTI-TILTING GRATE.

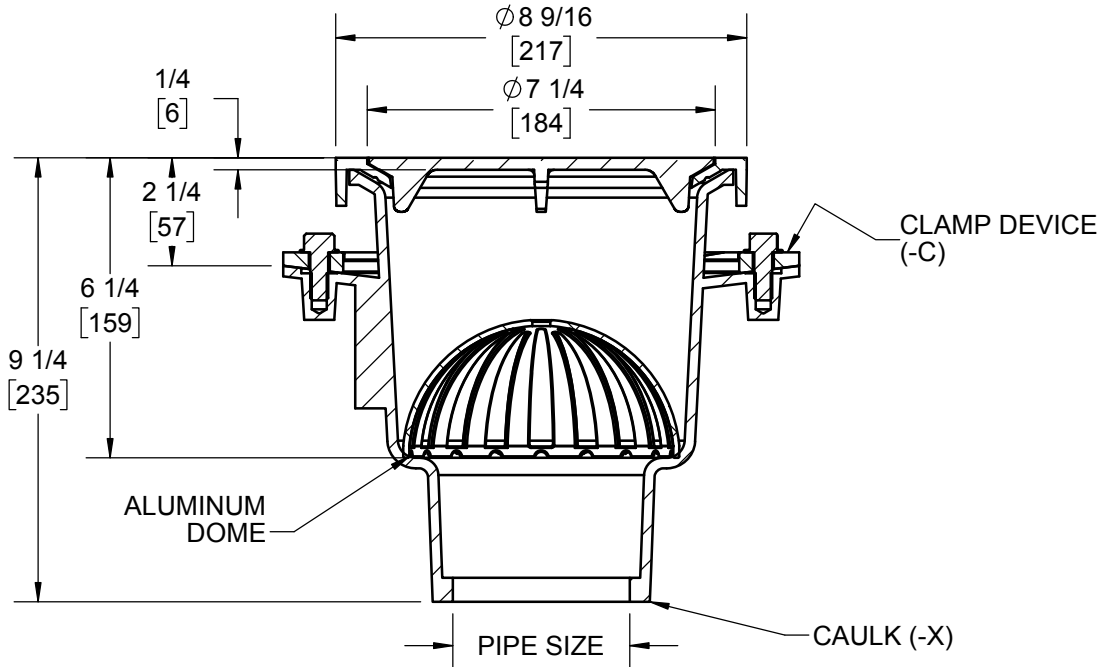
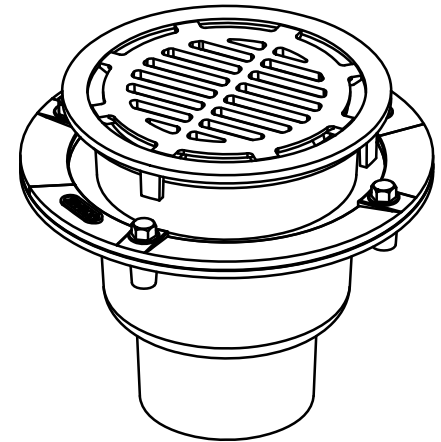
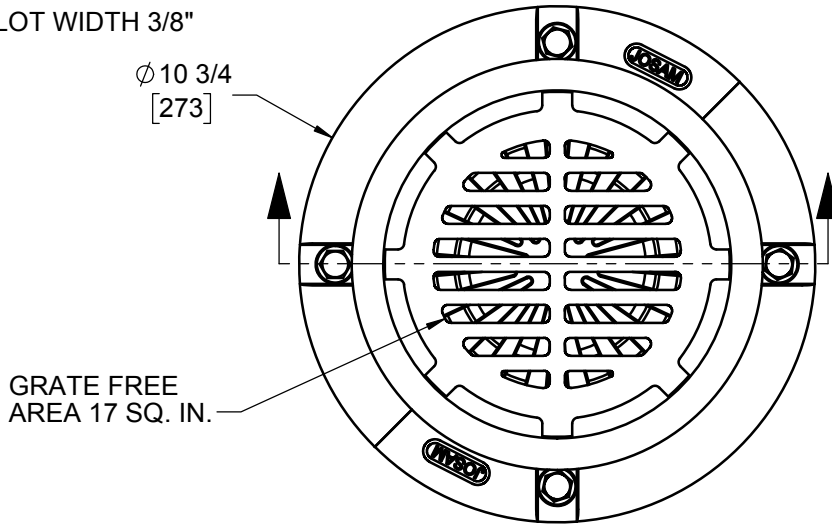
SANITARY FLOOR SINK

8" ROUND TOP, 6" DEEP

SERIES **49520A-NB**

FORMERLY 49220A SERIES

SLOT WIDTH 3/8"



	PIPE SIZE
	2"
	3"
	4"

Δ	-LF	LESS FLANGE
X	-NB	NICKEL BRONZE TRAFFIC TOP
	-LG	LESS GRATE
	-3	HALF (1/2) GRATE
	-4	THREE-QUARTER (3/4) GRATE
	-7	FULL GRATE WITH 2-1/2" CENTER OPENING
	-8	ALUMINUM DEPRESSED GRATE
	-VP	SECURED GRATE, VANDAL-PROOF SCREWS
	-16	GRATE WITH 4" ROUND FUNNEL
	-17	GRATE WITH 6" ROUND FUNNEL
	-18	GRATE WITH 9" x 3-1/2" OVAL FUNNEL
	-24	CHAINED GRATE

	-31	SEDIMENT BUCKET, ALUMINUM
	-33	SEDIMENT BUCKET, ACID RESISTANT FINISH
*	-35	BUCKET LINER (STAINLESS STEEL MESH)
	-43	INTERNAL DOME STRAINER, ACID RESISTANT FINISH
	-45	LESS INTERNAL DOME STRAINER
	-51	GALV. CAST IRON, INSIDE AND OUTSIDE (NO ARE)
	-52	PAINTED, INSIDE AND OUTSIDE (NO ARE)
	-55	1/2" PRIMER TAP
	-C	CLAMP DEVICE
	-X	INSIDE CAULK OUTLET
	-Z	NO HUB OUTLET

Δ SEPARATE SUBMITTAL FOR THIS OPTION AVAILABLE

*MUST ALSO SPECIFY -31, -33 OPTION

DATE OF LAST CHANGE: 7/06/18

DIMENSIONS ARE SUBJECT TO MANUFACTURERS TOLERANCES AND CHANGE WITHOUT NOTICE. WE CAN ASSUME NO RESPONSIBILITY FOR USE OF SUPERSEDED OR VOID DATA.

JOSAM
MICHIGAN CITY, INDIANA

NOTES